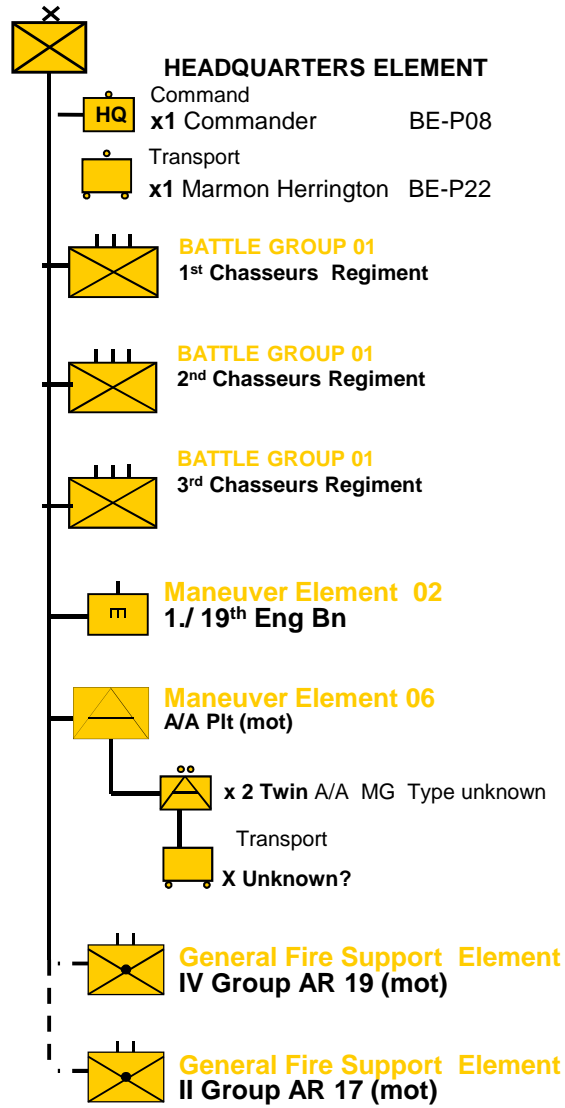


Chasseurs Ardennais Divisions

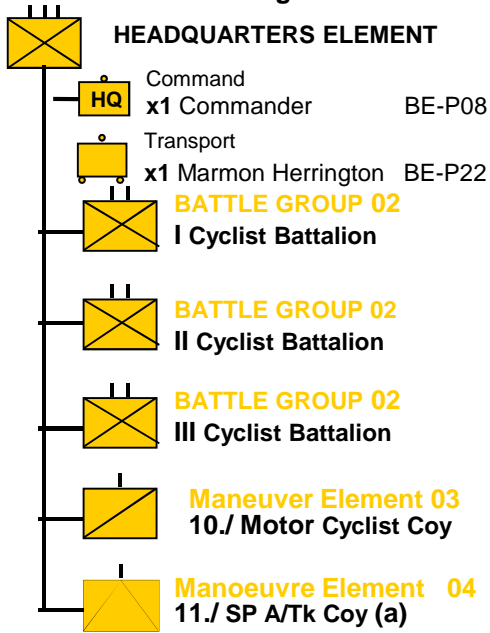
BATTLE GROUP

1st Chasseur Ardennais Division "Group K"



BATTLE GROUP 02

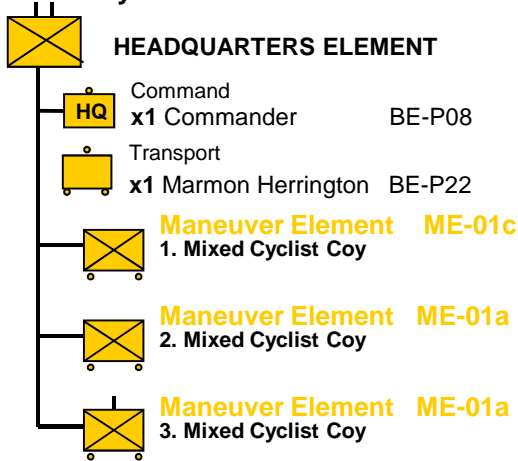
Chasseurs Regiment

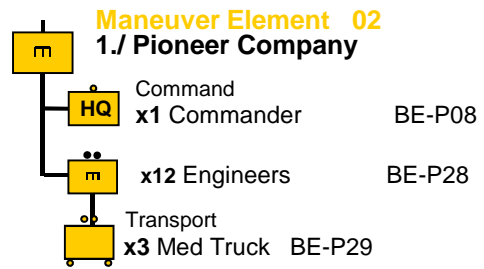
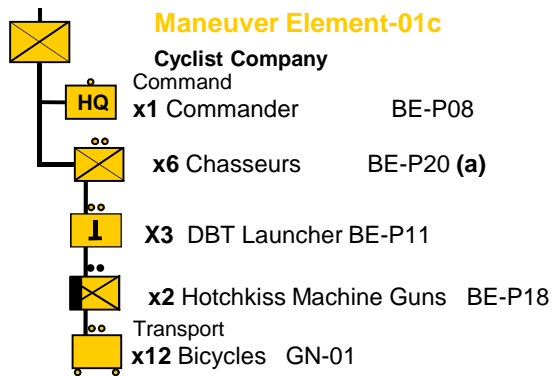


(a) Two companies in the 2nd Regt.

BATTLE GROUP 02

Cyclist battalion





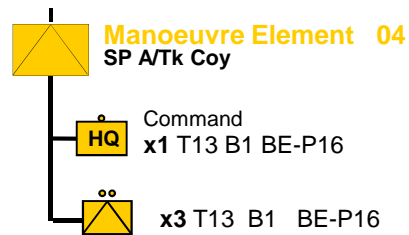
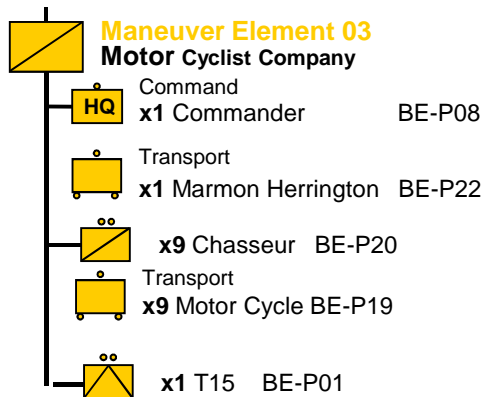
(a) Actual organisation was x3 platoons of x2 combat groups each combat group had x2 LMG's with 15 men total., but no definite organisation.

However there is an ORBAT for cavalry M/C Sqns which have two LMG;s and approx same number of men.

2 **FM squads** each of 1 m/c + s and 3 men and 1 m/c + s 2 men and 1 LMG.

1 **FG squad** with 1 m/c + s and 3 men and 2 m/c with 2 men each.

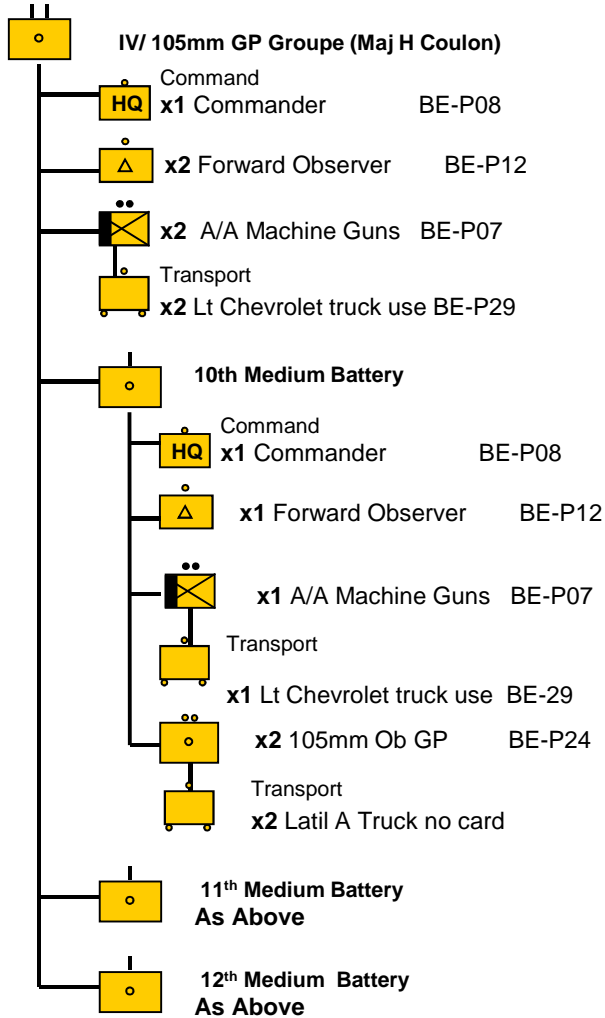
1 **DBT squad** 0-1-13 with 4 m/c with 1 NCO and 4 men And 4 m/c +s with 3 men and 1 DBT each.



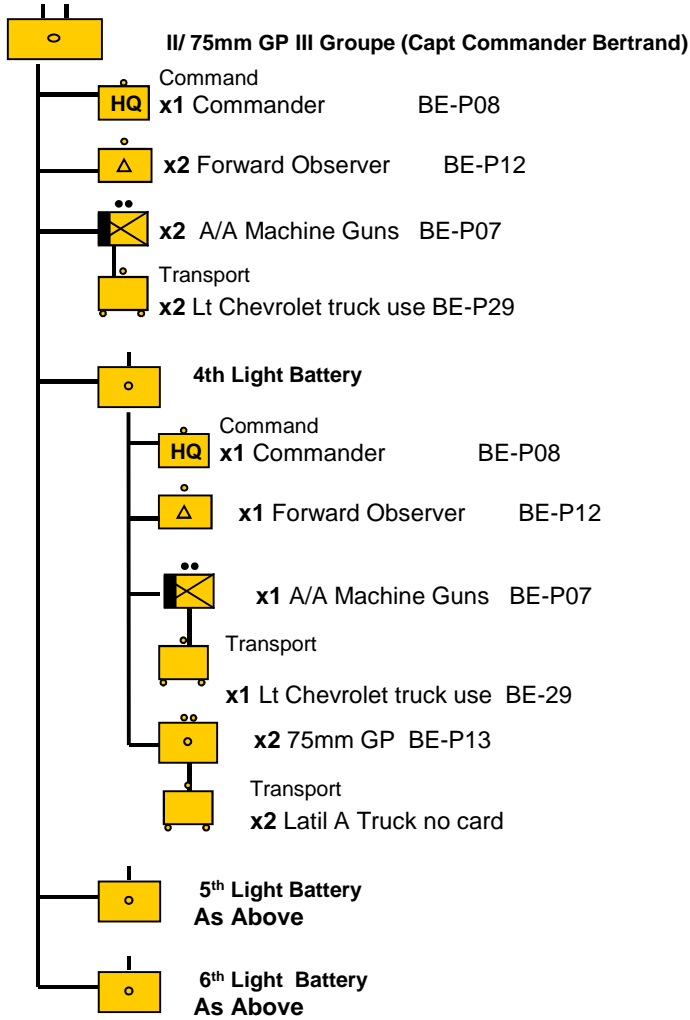
Can be broken down into x4 individual Manoeuvre Elements. Usually they were attached by section (x1 model) to boost rifle companies.

(a) Can be broken down into x3 platoon groups of x3 Infantry.

AR 19 (-)



AR 17 (-)



BATTLE GROUP

2nd Chasseur Ardennais Division (1st Reserve Army)

Regiments only have 1x Cyclist Bn other two on foot.

