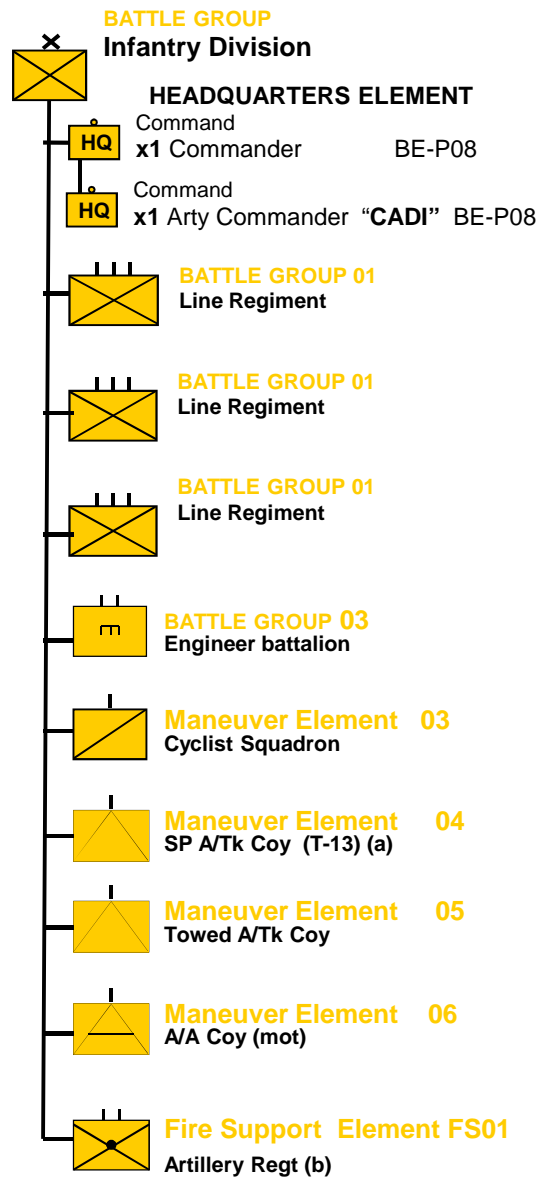


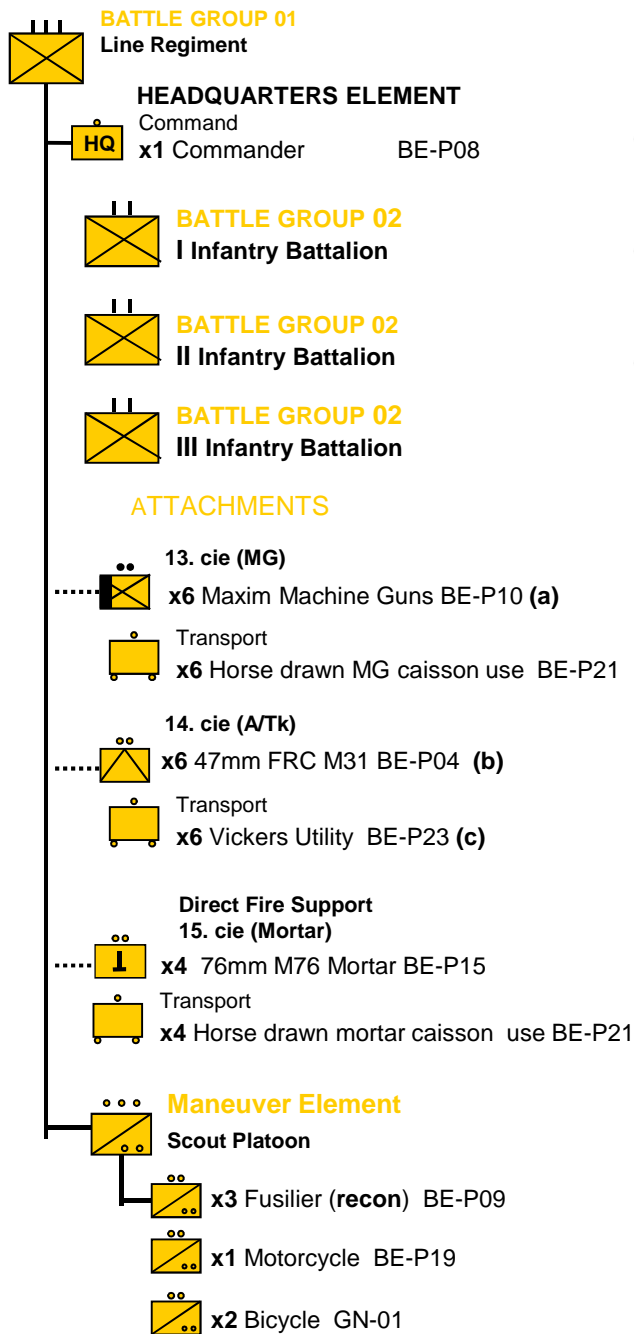
Active & 2nd Reserve Line Divisions (1st-12th Divisions)



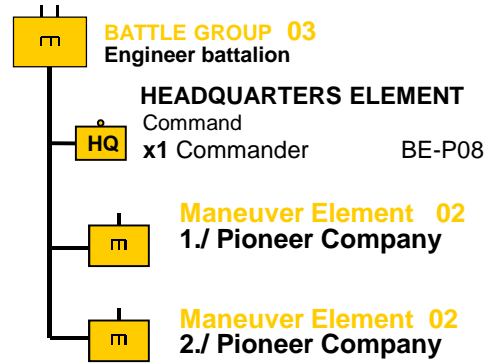
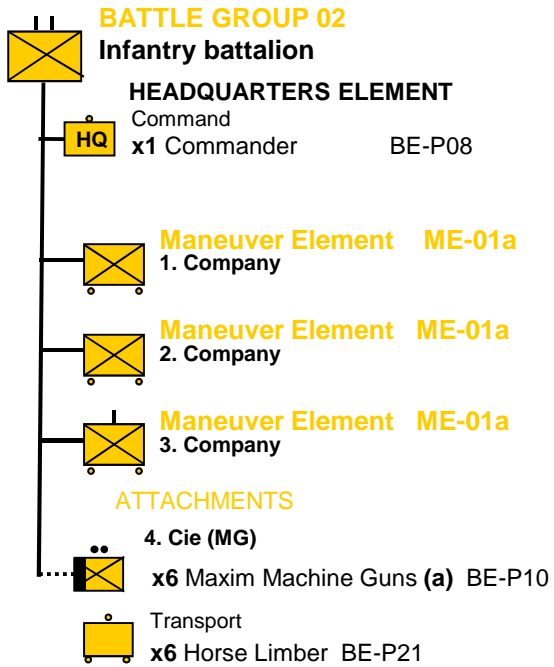
(a) Only in Divisions ..1-4 and 7-11

(b)

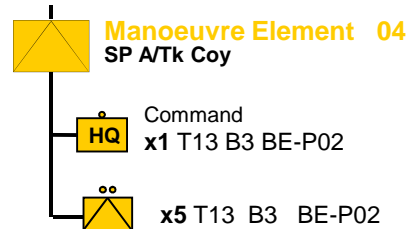
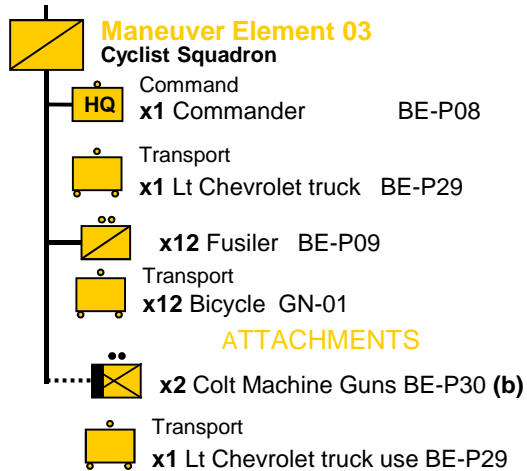
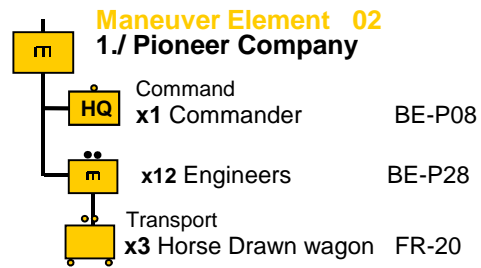
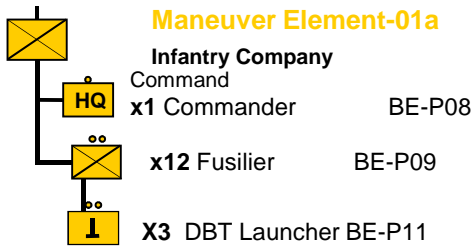
- 1st Div had the 1st Artillery Regiment allocated.
- 2nd Div had the 2nd Artillery Regiment allocated
- 3rd Div had the 3rd Artillery Regiment allocated
- 4th Div had the 8th Artillery Regiment allocated
- 5th Div had the 11th Artillery Regiment allocated
- 6th Div had the 6th Artillery Regiment allocated plus 1/ Hvy AR4 (150mm M17 Krupp.)
- 7th Div had the 20th (mot) Artillery Regiment allocated (I/II = 75mm M34 Bofors, III/IV = 105mm Ob GP)
- 8th Div had the 5th Artillery Regiment allocated
- 9th Div had the 4th Artillery Regiment allocated
- 10th Div had the 10th Artillery Regiment allocated
- 11th Div had the 9th Artillery Regiment allocated
- 12th Div had the 7th Artillery Regiment allocated



- (a) Can be broken down into 3x separate platoons of 2x Guns and attached to any ME.
- (b) Can be broken down into 3x separate platoons of 2x Guns and attached to any ME.
- (c) The Vickers Utility came in two versions, the Infantry version whose top speed was limited to walking speed (4/4) and the cavalry version as shown on the card (8/12).



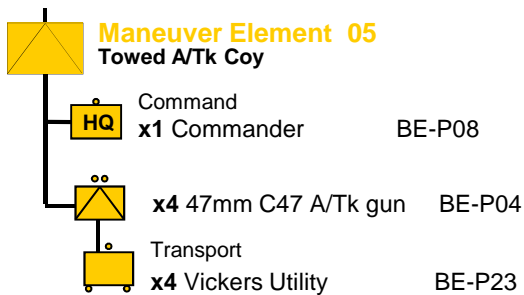
- (a) Can be broken down into 3x separate platoons of 2x Guns and attached to any ME.



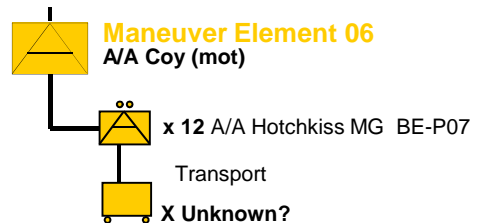
Can be broken down into x3 individual Manoeuvr Elements. Usually they were attached by section (x1 model) to boost rifle companies.

(a) Can be broken down into x3 platoon groups of x4 Infantry.

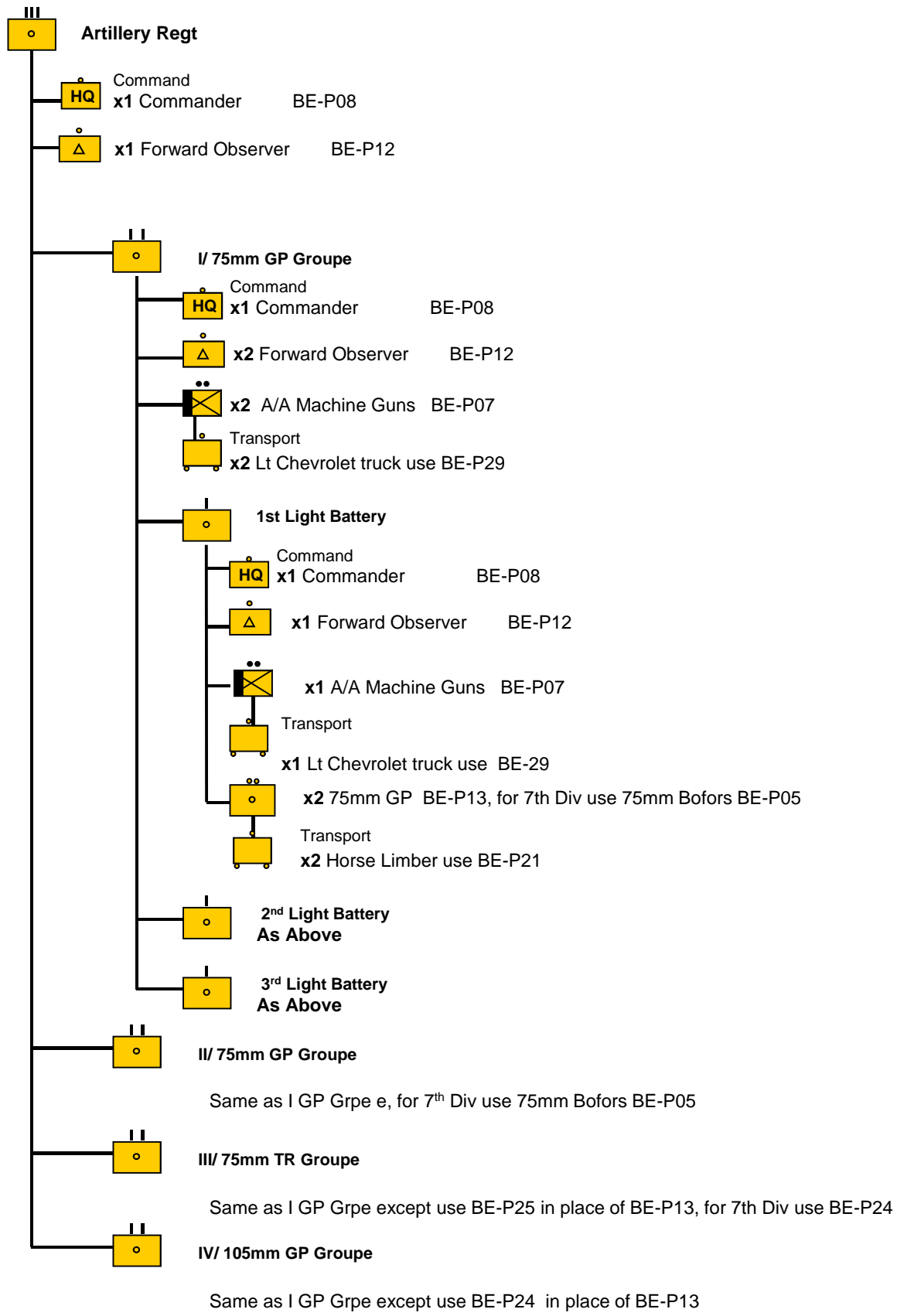
(b) Used the Colt as lighter than the standard maxim of the Infantry.



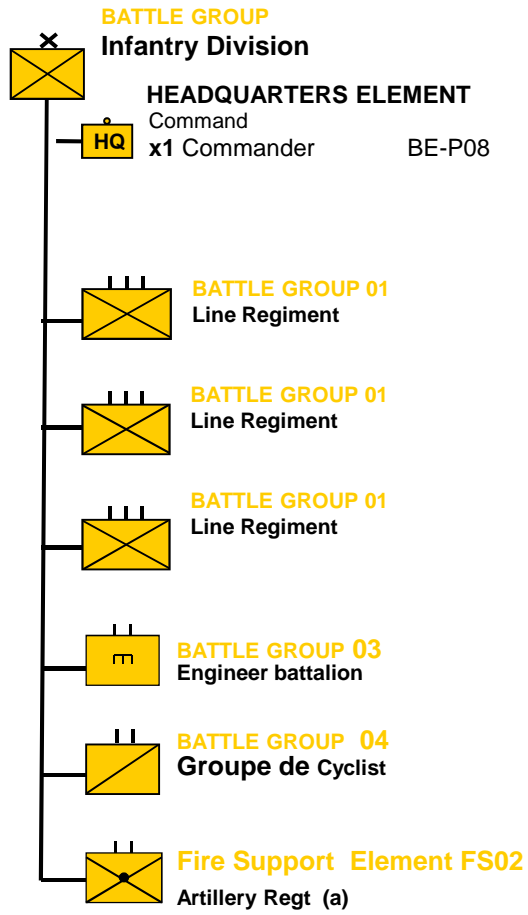
Can be broken down into x4 individual Manoeuvr Elements of x1 Gun..

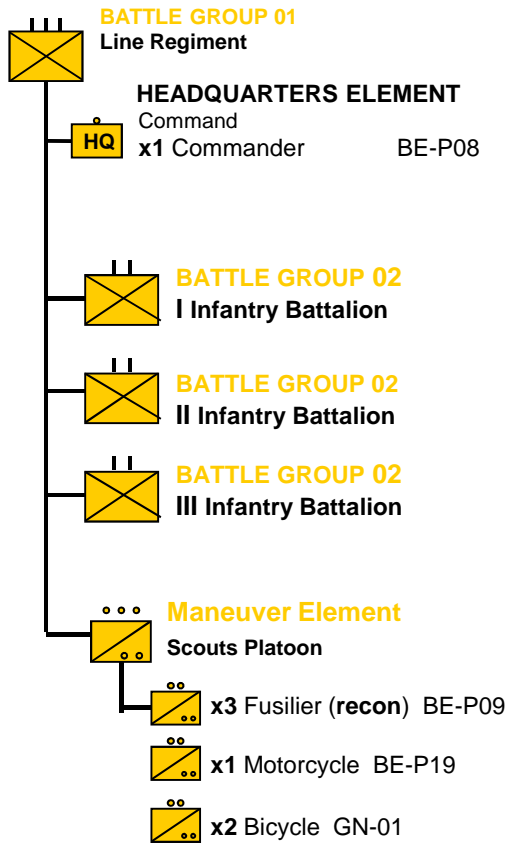


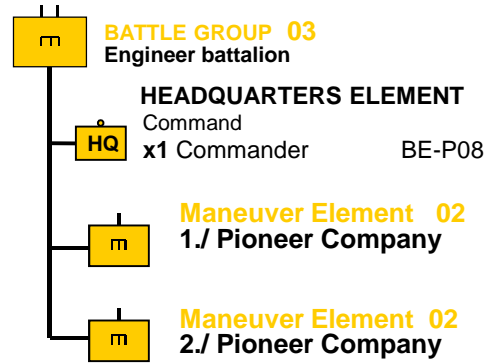
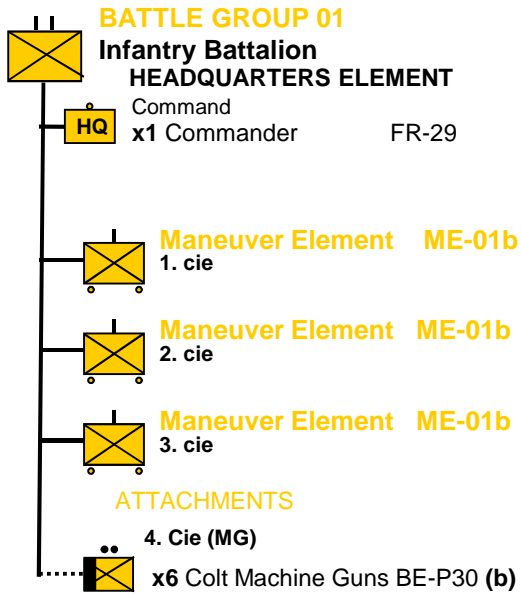
Can be broken down into x6 individual Manoeuvr Elements of x2 guns..



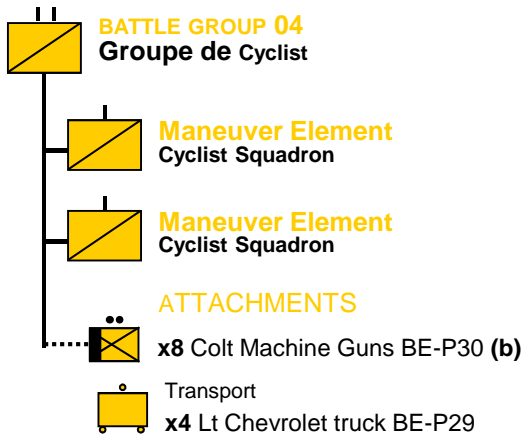
3rd Reserve Line Divisions (Divisions 13-18)

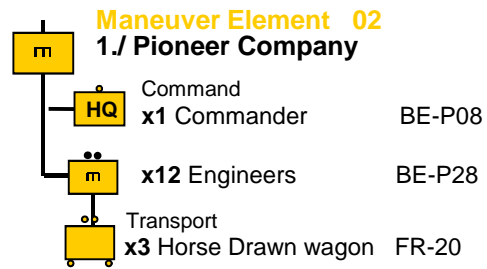
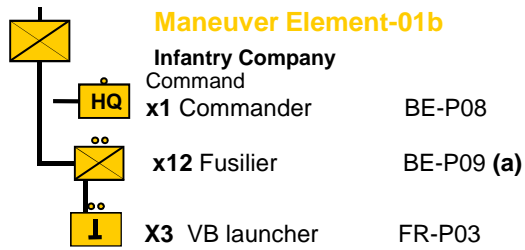




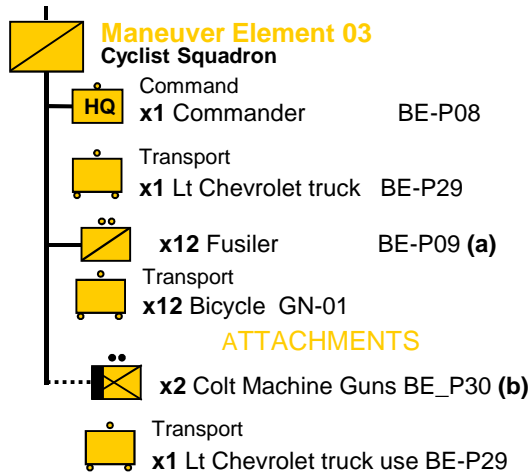


- (a) Can be broken down into 3x separate platoons of 2x Guns and attached to any ME.



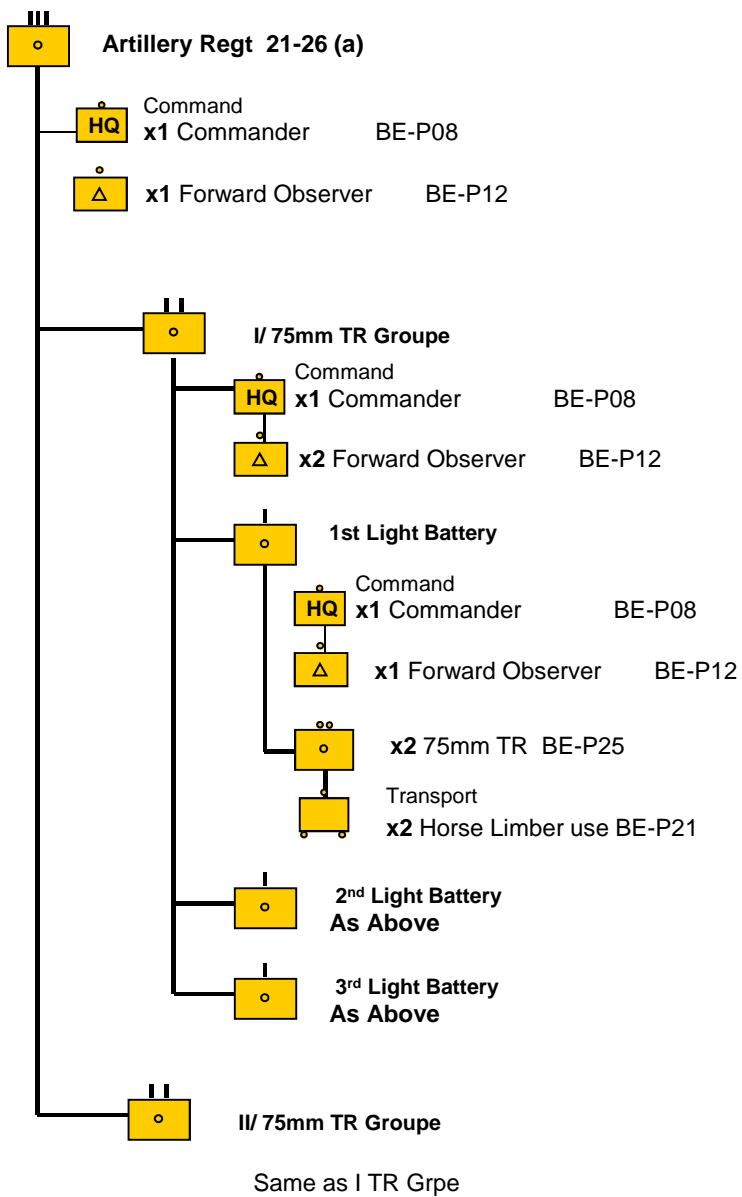


(a) Issued with Chauchat instead of FN30 (B.A.R)



(a) Can be broken down into x3 platoon groups of x4 Infantry.

(b) Used the Colt as lighter than the standard maxim of the Infantry.



13th Div had the 21st Artillery Regiment and the allocated 26th Artillery Regiment plus VI/ 4th Hvy AR (6" Vickers m17)

14th Div had the 22nd Artillery Regiment allocated

15th Div had the 23rd Artillery Regiment allocated

16th Div had the 24th Artillery Regiment allocated

17th Div had the 25th Artillery Regiment allocated plus V/ AR4 (6" Vickers M17)

18th Div had the I/17th Artillery Regiment allocated (75mm GP III towed by Latil A Trucks).

- AR's 13-16 and 19 were assigned as Corps troops.
- AR 13 was assigned to... IV Corps:- I/II/VI = 155mm Schneider M17, III= 105C Schneider M13, IV/V= 120C M31 FRC plus I / II AR 12 (75mm).
- AR14 was assigned to...I Corps:- I/II/VI =155mm Schneider M17, III/V = 105C Schneider M13, IV = 120C M31 FRC towed by Citroen Kegrasse P14B.
- AR 15 was assigned to... III Corps:- I/II = 155mm Schneider M17, III = 105C Schneider M13, IV/V = 120C M31 FRC VI= 155mm Schneider M17.
- AR 16 was assigned to...II Corps:- I/II/VI = 155mm Schneider M17, III/IV = 105C Schneider M13, V = 120C M31 FRC towed by Brossel TAR tractors.
- AR 19 (mot) was assigned to...Cav Corps:- I/II = 75mm GP III, III/IV = 105mm Ob GP
- IV / III AR 12 was assigned to...VII Corps:- III = 75mm TR, IV = 105mm Ob GP
- II / III Hvy AR 4 was assigned to...VII Corps:- II / III = 150mmLM17 Krupp