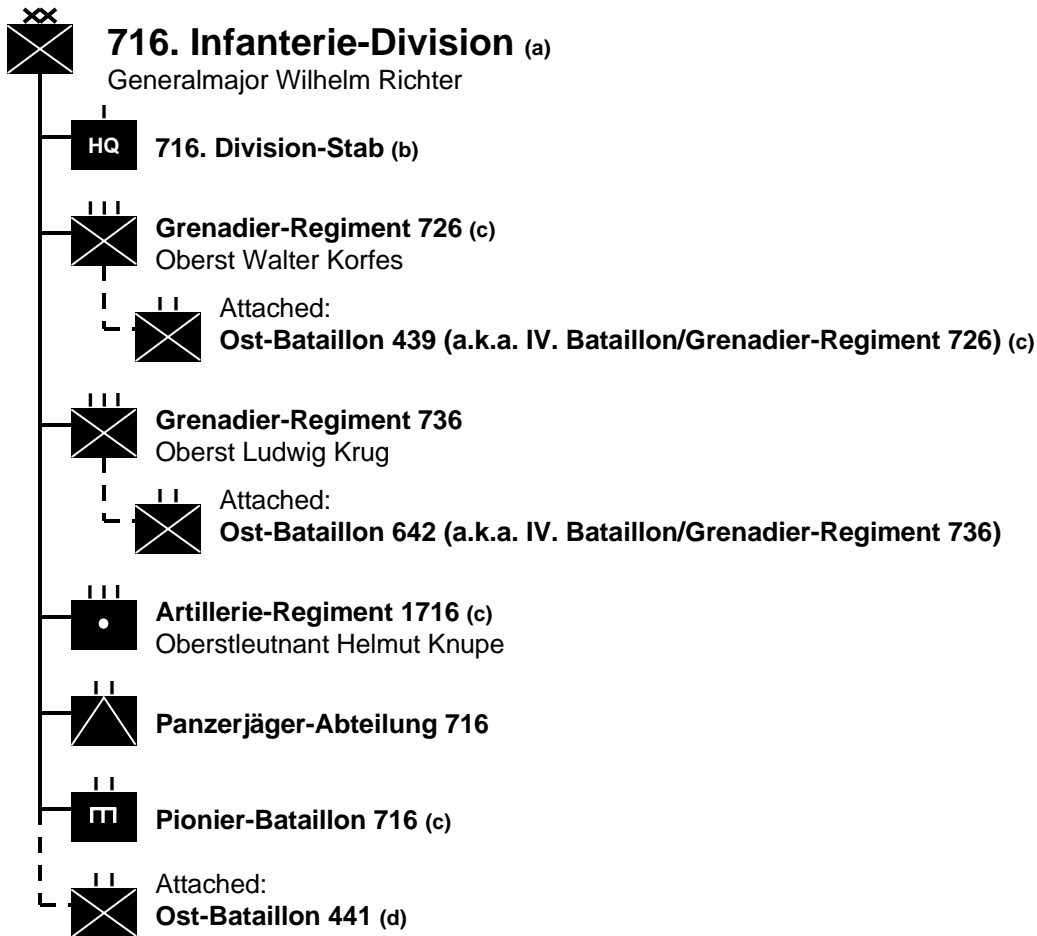


716. Infanterie-Division in Normandy 6th June 1944



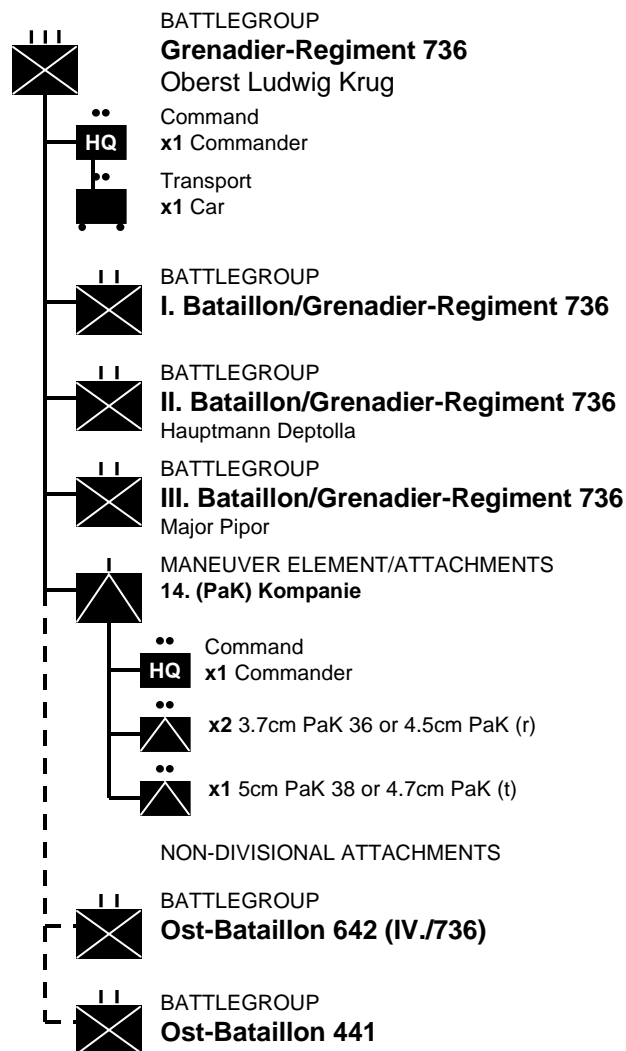
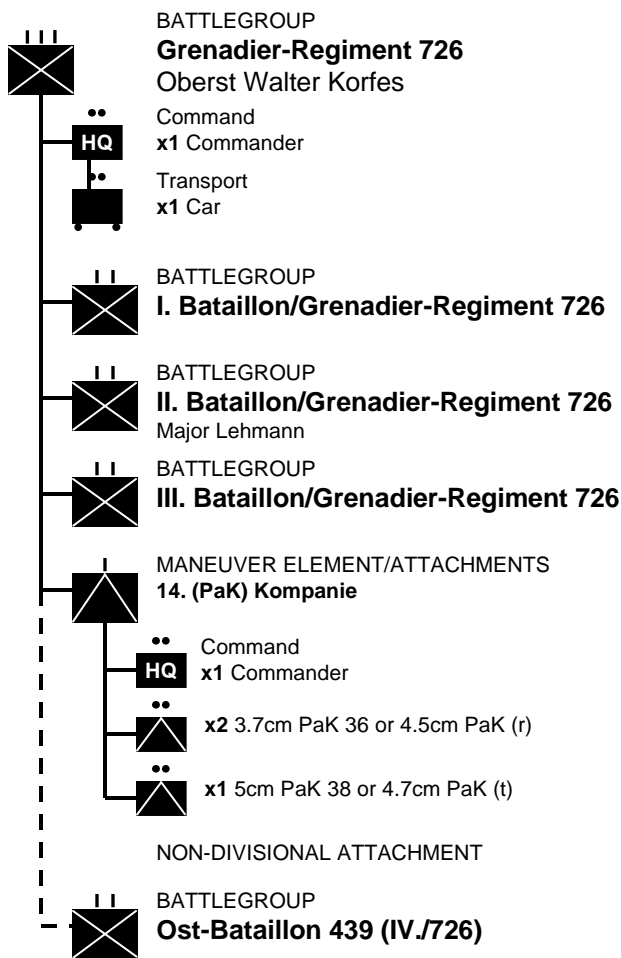
(a) 716. Infanterie-Division, along with all the 700-series divisions, was designated as *'Bodenständigen'*, indicating a static, garrison formation with virtually no organic transport elements. These divisions were at the bottom of the heap when it came to getting new equipment and good recruits, though their organic weapons were supplemented by those permanently emplaced on the Atlantic Wall. 716. Infanterie-Division was slightly better-equipped than most however, having received a full company of self-propelled antitank guns (probably Marder I), as well as some improvised light self-propelled guns – all probably courtesy of the 21. Panzer-Division's Major Becker, who was running a cottage industry at Caen, converting old French vehicles into armoured support vehicles.

(b) There was no divisional headquarters Escort Company.

(c) Following Rommel's review of coastal defences in the late Spring of 1944, the frontage of the 716. Infanterie-Division, which had previously extended all the way across Normandy from Isigny to Ouistreham, was shortened with the 352. Infanterie-Division assuming responsibility for the left flank – from Bayeux to Isigny. The 352. Infanterie-Division was a mobile reserve division, with altogether better weapons, equipment and soldiers (which was to be a telling factor on Omaha Beach). However, on 6th June, this reshuffle of units was still going on and some elements of 716. Infanterie-Division were actually intermingled with (and under the command of) 352. Infanterie-Division on the day of the invasion. This detached group comprised **I./Grenadier-Regiment 726**, which was stationed north of Bayeux (and was probably under the command of Grenadier-Regiment 915), **III./Grenadier-Regiment 726**, which was under the command of Grenadier-Regiment 916 at Grandcamp (west of Point-du-Hoc) and Ost-Bataillon 439, which was under the command of Grenadier-Regiment 914 at Isigny. Support was provided by **III./Artillerie-Regiment 1716**, which was also in the Isigny area (minus Rudolf Schaaf's self-propelled 10. Batterie), as was **2./Pionier-Bataillon 716**. Thus it was that one-third of the fighting strength of 716. Infanterie-Division was actually divorced from the division on D-Day and consequently, elements of the division fought on Omaha, Gold, Juno and Sword Beaches.

(d) Although not officially adopted into the division like its two sister battalions, Ost-Bataillon 441 seems to have been administratively attached to Grenadier-Regiment 736 and was certainly deployed with the regiment between Sword and Gold Beaches.

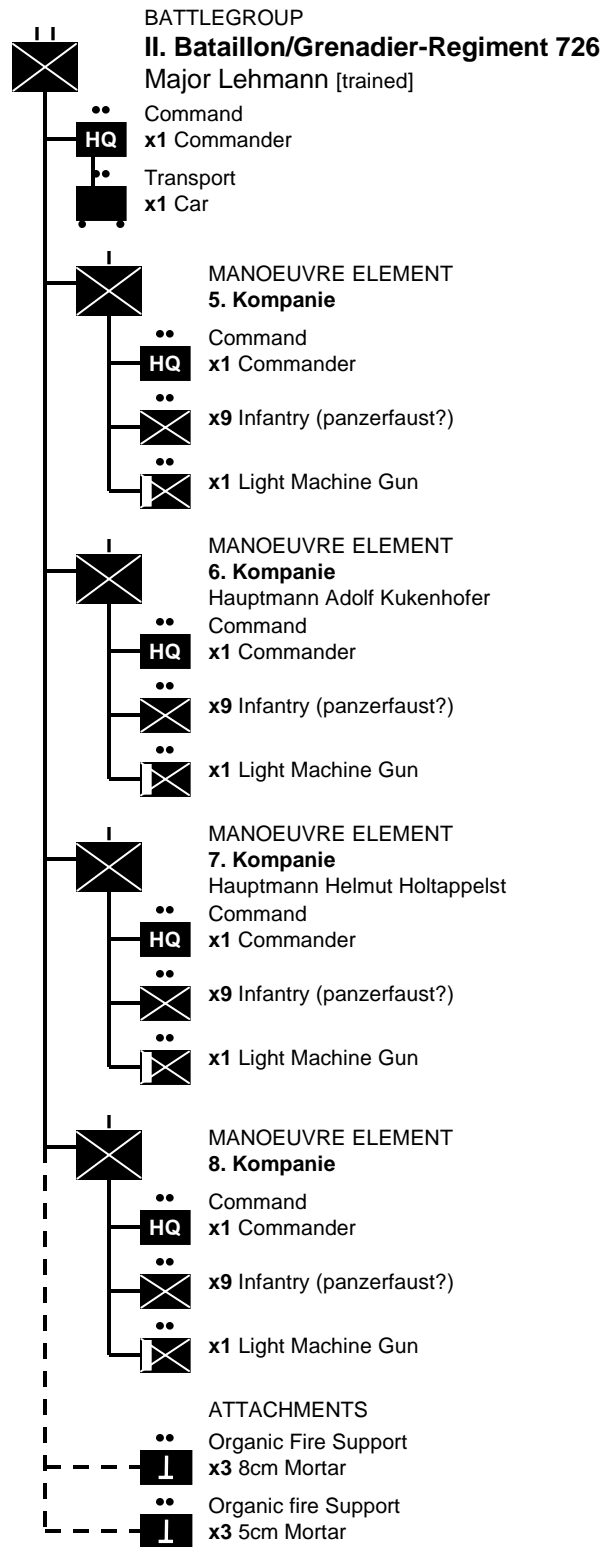
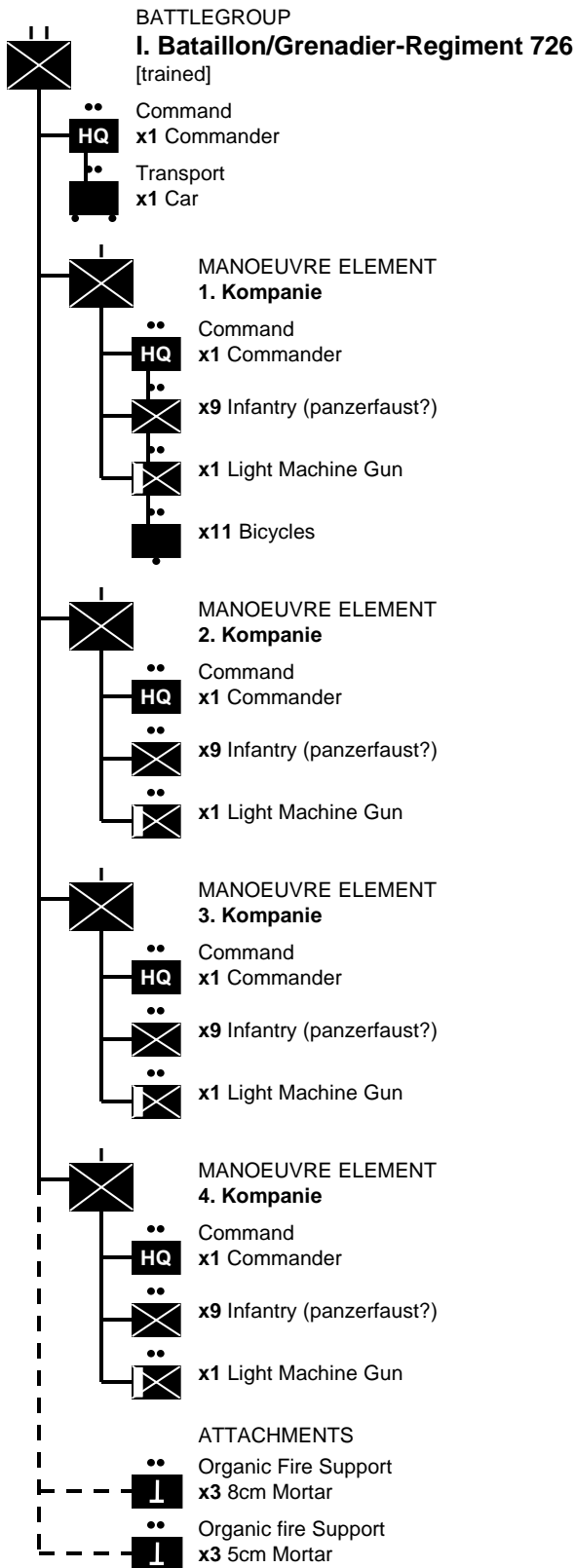
Grenadier Regiment Organisations



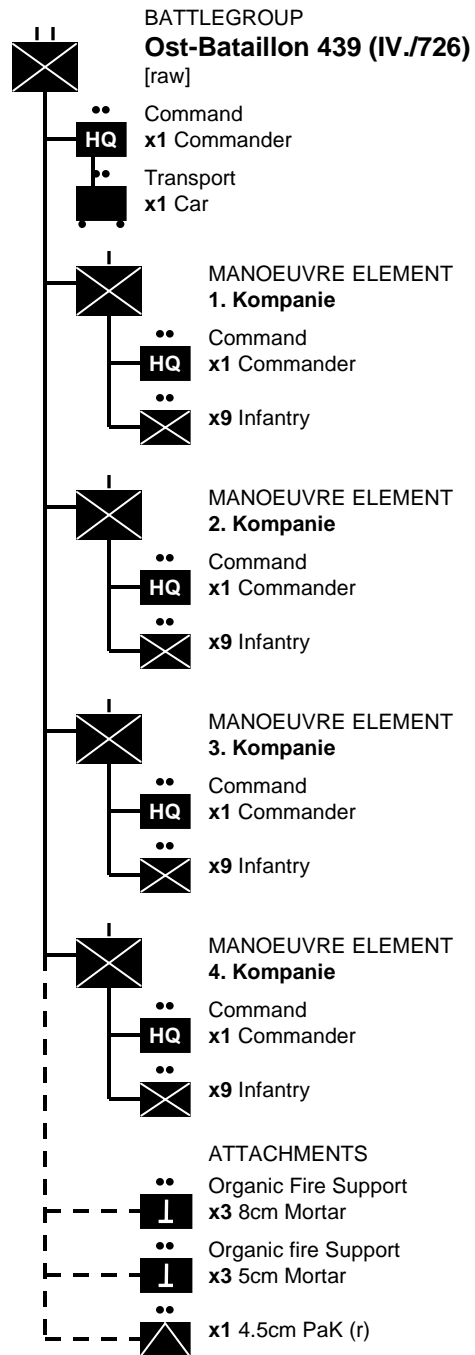
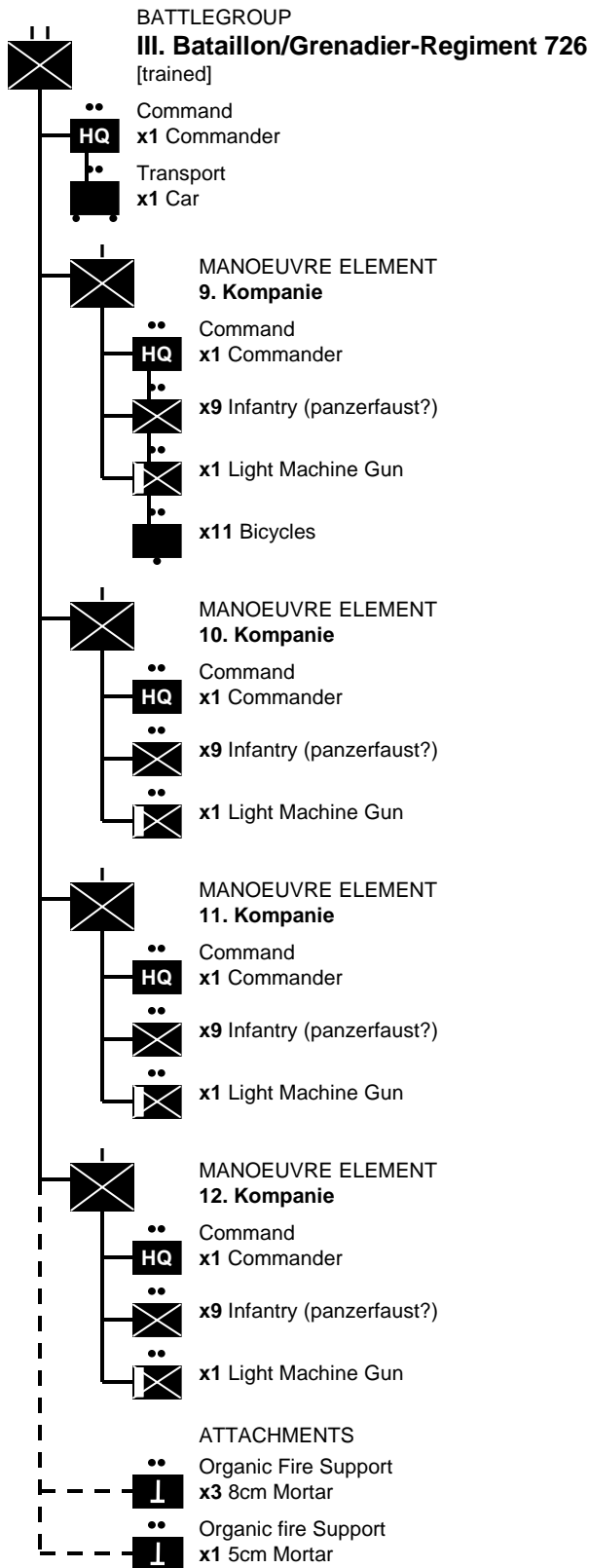
(a) I have not been able to determine the existence of panzerfauste or panzerschrecke in 716. Infanterie-Division on 6th June 1944. Panzerschrecke were normally listed as antitank guns in the divisional strength returns, but none are shown for this division. Panzerfauste were rarely listed as weapons – being listed instead as ammunition along with bullets, shells and hand grenades and hence they don't appear on organisational charts. Going by anecdotal evidence (or rather, the lack of it), I can't find any evidence for panzerfauste being issued to this division by 6th June. Additionally I don't remember reading of tank KOs from panzerfauste on D-Day, though I admit I may be mistaken. However, as an example, 17. SS-Panzer-Grenadier-Division is documented as having no panzerfauste during the battle for Carentan – and 716. would probably have been even further down the supply chain.

(b) The infantry battalions of 716. Infanterie-Division, along with those of other low-grade formations, appear to have fielded all their companies as rifle companies, with no heavy companies. Evidence for this is fairly sketchy, but there are a number of references to the 4./8./12. Kompanie being used in front-line rifle positions and in one instance, 8. Kompanie of Grenadier-Regiment 736 was the II. Bataillon's mobile company and was equipped with bicycles – which wouldn't make sense if it was organised as a heavy company.

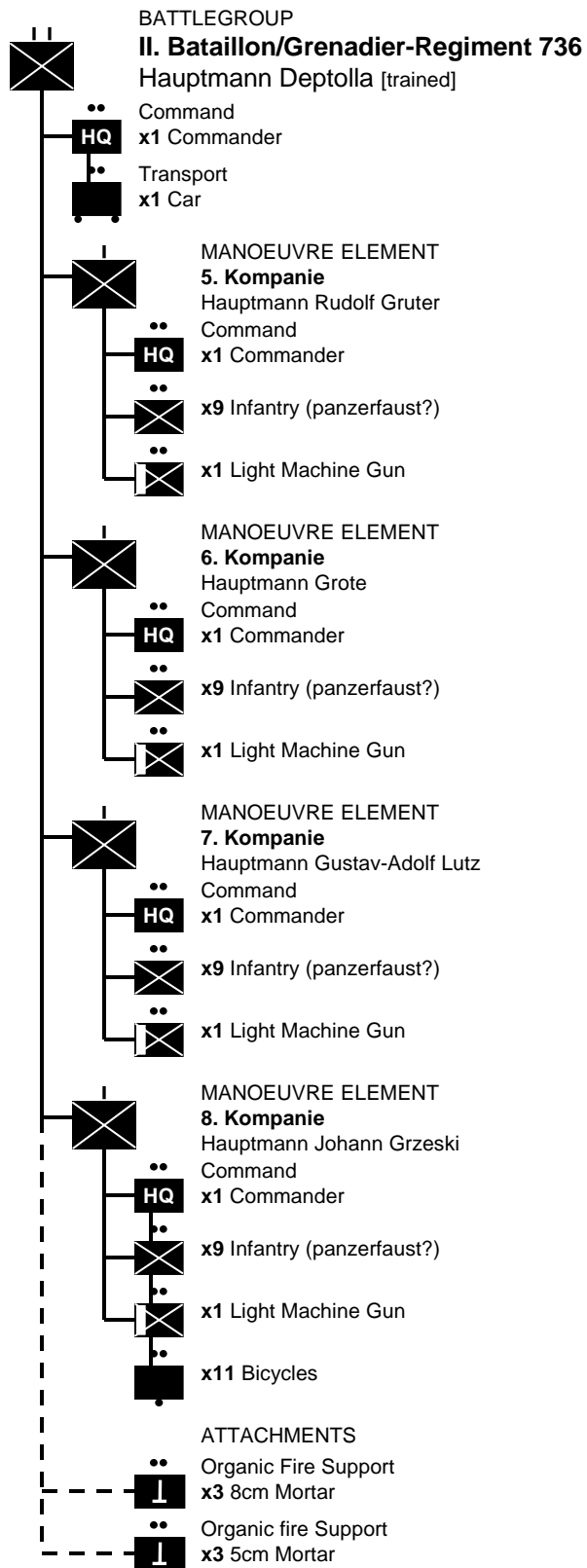
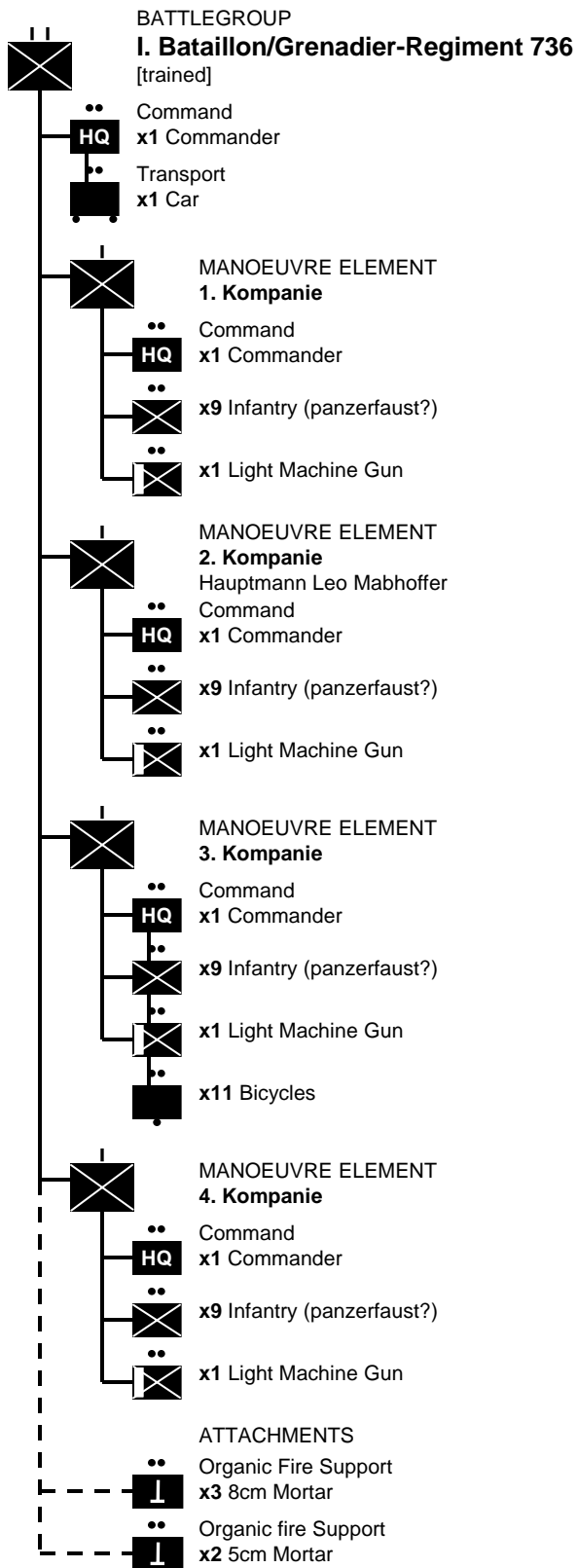
Battlegroup Organisations #1, Grenadier-Regiment 726



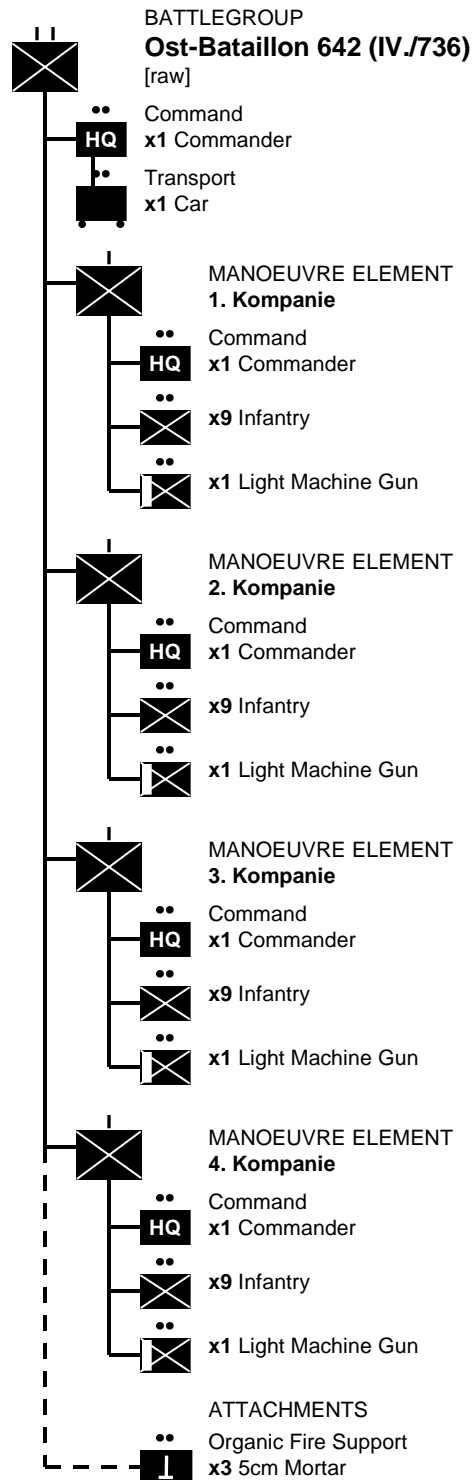
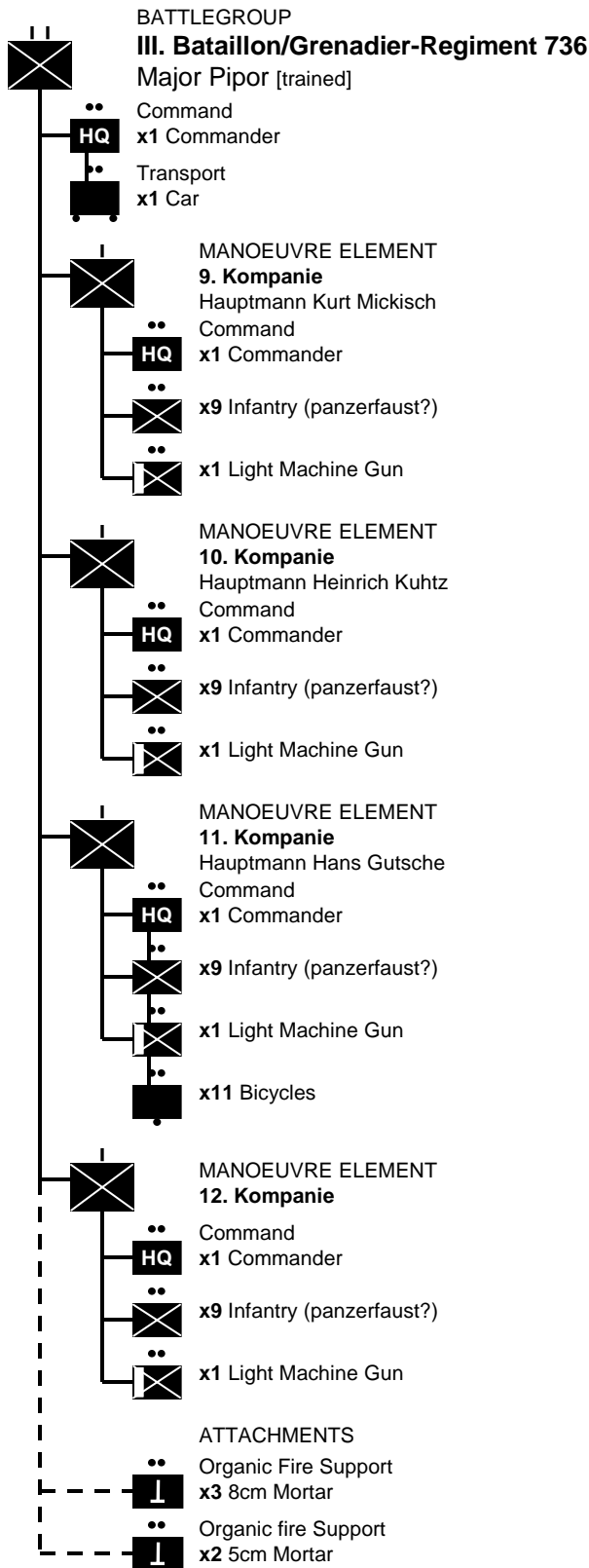
Battlegroup Organisations #2, Grenadier-Regiment 726



Battlegroup Organisations #1, Grenadier-Regiment 736



Battlegroup Organisations #2, Grenadier-Regiment 726



Additional Battlegroups

BATTLEGROUP Ost-Bataillon 441 [raw]

Command
x1 Commander
Transport
x1 Car

MANOEUVRE ELEMENT 1. Kompanie

Command
x1 Commander
x6 Infantry

MANOEUVRE ELEMENT 2. Kompanie

Command
x1 Commander
x6 Infantry

MANOEUVRE ELEMENT 3. Kompanie

Command
x1 Commander
x6 Infantry

MANOEUVRE ELEMENT 4. Kompanie

Command
x1 Commander
x6 Infantry

ATTACHMENTS
Organic Fire Support
x2 5cm Mortar

BATTLEGROUP Panzerjäger-Abteilung 716 [experienced]

MANEUVER ELEMENT 1. Kompanie

Command
x1 Self-Propelled 7.5cm PaK 40 (a)
x3 Self-Propelled 7.5cm PaK 40 (a)

MANEUVER ELEMENT 2. Kompanie

Command
x1 Commander
x3 7.5cm PaK 40
x1 8.8cm PaK 43/41

ATTACHMENT 3. Kompanie

x1 2cm FlaK

(a) Although the division is recorded as having eleven tracked, armoured heavy antitank guns, no deliveries of Marders to the division were recorded. However, thanks to the memoirs of Leutnant Rudolf Schaaf, we do know that the division had received at least four 15.5cm howitzers on armoured Lorraine (i.e. Marder I) chassis, courtesy of Major Becker's 'panzer factory' at 21. Panzer-Division, just down the road at Caen. It does therefore seem very likely that these mystery vehicles were Marder I, courtesy of Major Becker.

(b) I have not listed a command element, as the battalion was fielded as detached companies – not as a unified battlegroup.

BATTLEGROUP Pionier-Bataillon 716 [trained]

MANEUVER ELEMENT 1. Kompanie

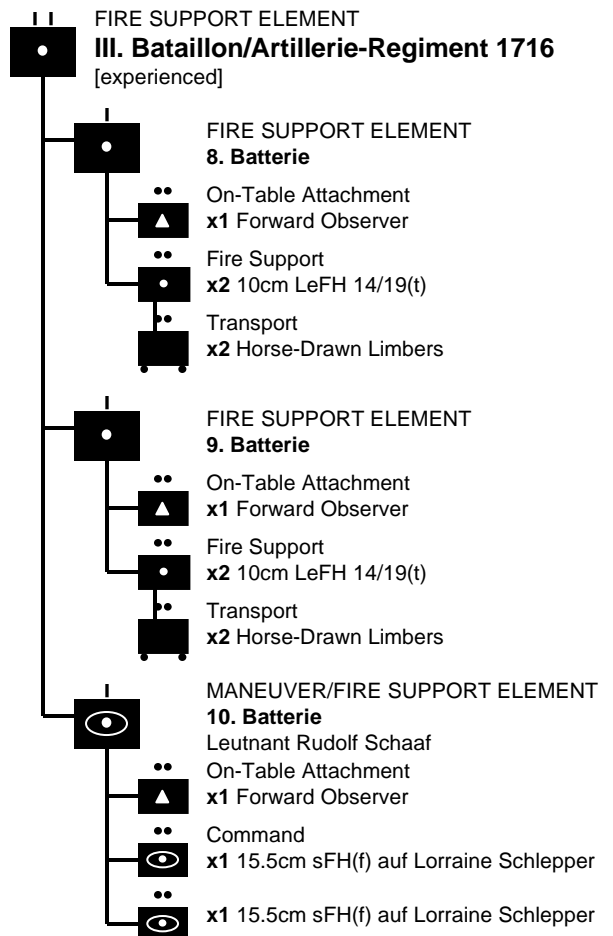
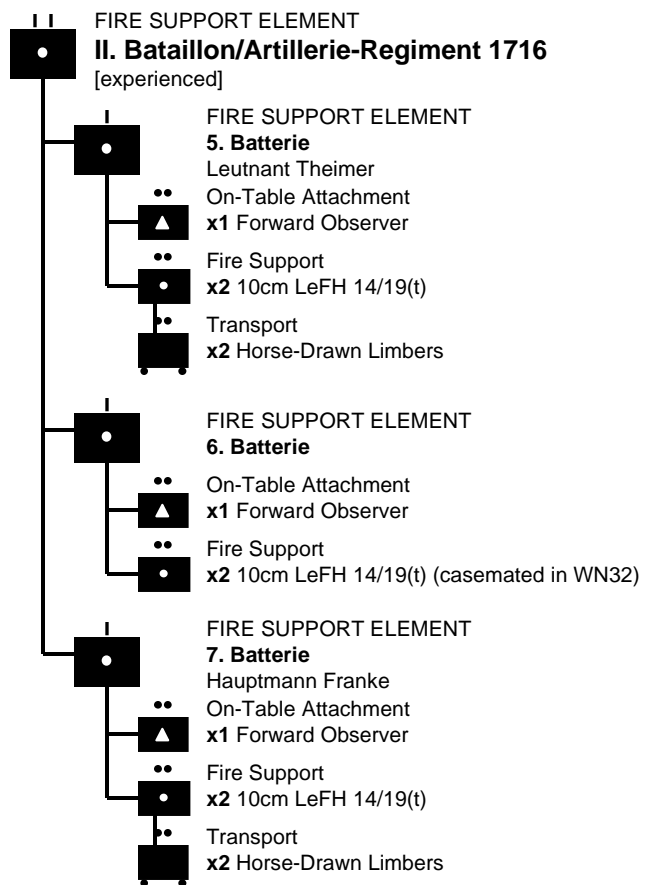
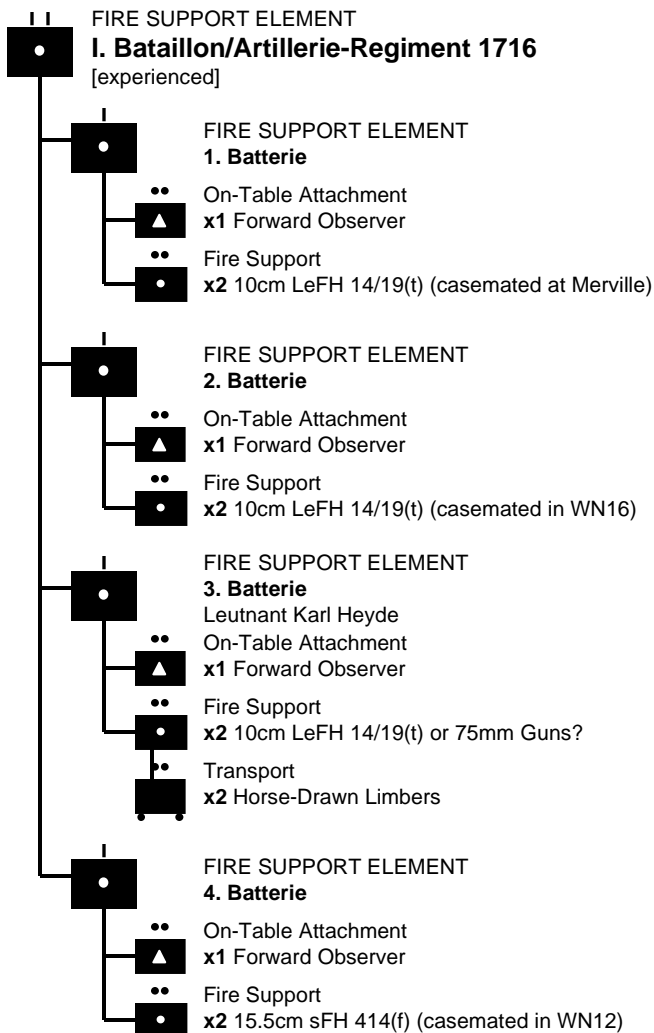
Command
x1 Commander
x9 Assault Pioneers (3 flame)
Organic Fire Support
x1 5cm Mortar

MANEUVER ELEMENT 2. Kompanie

Command
x1 Commander
x9 Assault Pioneers (3 flame)
Organic Fire Support
x1 5cm Mortar

(a) I have not listed a command element, as the battalion was fielded as detached companies – not as a unified battlegroup.

Artillerie-Regiment 1716



Deployment Of The Division On 6th June 1944

716. Division-Stab	Caen
<u>Stab/ Grenadier-Regiment 726</u>	Château de Sully
<u>Stab/ I./ Grenadier-Regiment 726</u>	Bayeux/Maisons (detached to 352. ID)
1./ I./ Grenadier-Regiment 726	Northeast of Bayeux (detached to 352. ID)
2./ I./ Grenadier-Regiment 726	Northeast of Bayeux (detached to 352. ID)
3./ I./ Grenadier-Regiment 726	Northeast of Bayeux (detached to 352. ID)
4./ I./ Grenadier-Regiment 726	Northeast of Bayeux (detached to 352. ID)
<u>Stab/ II./ Grenadier-Regiment 726</u>	Bazenvilles
5./ II./ Grenadier-Regiment 726	North of Colombiers-sur-Seulles
6./ II./ Grenadier-Regiment 726	North of Creully
7./ II./ Grenadier-Regiment 726	Northeast of Colombiers-sur-Seulles
8./ II./ Grenadier-Regiment 726	Northwest of Colombiers-sur-Seulles
<u>Stab/ III./ Grenadier-Regiment 726</u>	Château de Jucoville, Grandcamp (detached to 352. ID)
9./ III./ Grenadier-Regiment 726	Grandcamp (detached to 352. ID)
10./ III./ Grenadier-Regiment 726	Grandcamp (detached to 352. ID)
11./ III./ Grenadier-Regiment 726	Grandcamp (detached to 352. ID)
12./ III./ Grenadier-Regiment 726	Grandcamp (detached to 352. ID)
14. (PaK)/ Grenadier-Regiment 726	?
<u>Stab/ Grenadier-Regiment 736</u>	WN17 ('Hillman')
<u>Stab/ I./ Grenadier-Regiment 736</u>	Colleville
1./ I./ Grenadier-Regiment 736	?
2./ I./ Grenadier-Regiment 736	Riva Bella
3./ I./ Grenadier-Regiment 736	Franceville-Plage (east of the Orne)
4./ I./ Grenadier-Regiment 736	Ouistreham-Val (in reserve)
<u>Stab/ II./ Grenadier-Regiment 736</u>	Tailleville
5./ II./ Grenadier-Regiment 736	Between Bernières and Saint-Aubin
6./ II./ Grenadier-Regiment 736	Courseulles-sur-Mer
7./ II./ Grenadier-Regiment 736	Graye-Ver and La Rivière
8./ II./ Grenadier-Regiment 736	Tailleville-Tombette and Bernières
<u>Stab/ III./ Grenadier-Regiment 736</u>	Cresserons
9./ III./ Grenadier-Regiment 736	Langrunne & Luc-sur-Mer
10./ III./ Grenadier-Regiment 736	Lion-sur-Mer & Hermanville
11./ III./ Grenadier-Regiment 736	In reserve, behind Luc-sur-Mer
12./ III./ Grenadier-Regiment 736	In reserve, at Douvres-la-Délivrande
14. (PaK)/ Grenadier-Regiment 736	?
<u>Stab/ Ost-Bataillon 439</u>	Isigny (detached to 352. ID)
1./ Ost-Bataillon 439	Isigny (detached to 352. ID)
2./ Ost-Bataillon 439	Isigny (detached to 352. ID)
3./ Ost-Bataillon 439	Isigny (detached to 352. ID)
4./ Ost-Bataillon 439	Isigny (detached to 352. ID)
<u>Stab/Ost-Bataillon 441</u>	?
1./ Ost-Bataillon 441	?
2./ Ost-Bataillon 441	In reserve, between Courseulles-sur-Mer and Beny-sur Mer
3./ Ost-Bataillon 441	West of Ver-sur-Mer
4./ Ost-Bataillon 441	East of Ver-sur-Mer
<u>Stab/ Ost-Bataillon 642</u>	Amfreville (east of the Orne)
1./ Ost-Bataillon 642	Franceville-Plage (east of the Orne)
2./ Ost-Bataillon 642	Amfreville (east of the Orne)
3./ Ost-Bataillon 642	In reserve, behind Lion-sur-Mer
4./ Ost-Bataillon 642	Château Saint-Côme Haras (east of the Orne)

Deployment Of The Division On 6th June 1944 (Continued)

Stab/ Artillerie-Regiment 1716

North of Caen

Stab/ I./ Artillerie-Regiment 1716

Colomby-sur-Thaon

1./ I./ Artillerie-Regiment 1716

'Merville Battery'

2./ I./ Artillerie-Regiment 1716

Strongpoint WN16 ('Daimler' at Colleville)

3./ I./ Artillerie-Regiment 1716

Briéville

4./ I./ Artillerie-Regiment 1716

Strongpoint WN12 ('Water Tower Battery' at Ouistreham)

Stab./ II./ Artillerie-Regiment 1716

Crépon

5./ II./ Artillerie-Regiment 1716

Strongpoint WN35b (Crépon)

6./ II./ Artillerie-Regiment 1716

Strongpoint WN32 (between Crépon & Ver-Sur-Mer)

7./ II./ Artillerie-Regiment 1716

Strongpoint WN28a (Bény-sur-Mer)

Stab./ III./ Artillerie-Regiment 1716

Somewhere near Isigny (detached to 352. ID)

8./ III./ Artillerie-Regiment 1716

Somewhere near Isigny (detached to 352. ID)

9./ III./ Artillerie-Regiment 1716

Somewhere near Isigny (detached to 352. ID)

10./ III./ Artillerie-Regiment 1716

Somewhere between Juno and Sword Beaches

Stab./ Pionier-Bataillon 716

?

1./ Pionier-Bataillon 716

Somewhere near Caen

2./ Pionier-Bataillon 716

Somewhere near Isigny (detached to 352. ID)

Stab./ Panzerjäger-Abteilung 716

?

1./ Panzerjäger-Abteilung 716

Biéville

2./ Panzerjäger-Abteilung 716

Biéville?

3./ Panzerjäger-Abteilung 716

Franceville-Plage (east of Orne)