

12th Panzer Division Hitler Jugend



12th SS Panzer Division Hitler Jugend

Battle Group-12SS HJ

SS Brigadeführer Fritz Witt
(killed 14JUN44)
HQ Element



Command

x1 Commander GE-46



Transport

x1 Kübelwagen GE-34



x1 Div. Defense Co. ME-HJ15

(SS-Obersturmführer Fritz Guntrum)

Battle Groups



Battle Group-HJ01

SS Pz Regt 12

SS-Obersturmbannführer Max Wünsche
(until 24/8/44)



Battle Group-HJ04

25th SS Panzergrenadier Regt.

SS-Standartenführer Kurt Meyer



Battle Group-HJ05

26th SS Panzergrenadier Regt.

SS-Obersturmbannführer Wilhelm Mohnke



Battle Group-HJ08

SS Panzerjäger Abteilung 12

SS-Sturmbannführer Jakob Hanreich



Battle Group-HJ09

SS Pioneer Battalion 12

SS-Sturmbannführer Siegfried Müller



Battle Group-HJ10

SS Flak Abteilung 12

SS-Sturmbannführer Rudolph Fend



Battle Group-HJ11

SS Panzer Aufklärungs Abteilung 12

SS-Sturmbannführer Gerd Bremer



Fire Support Elements

FS-HJ01

SS Panzer Artillery Regt 12

SS-Obersturmbannführer Fritz Schröder



FS-HJ05

SS Werfer Abteilung 12

SS-Sturmbannführer Willy Müller



Attached Elements

FS-HJ06

SS Heavy Artillery Battalion 501

Attached 9JUN44



Battle Group HJ12

SS Heavy Panzer Battalion 101

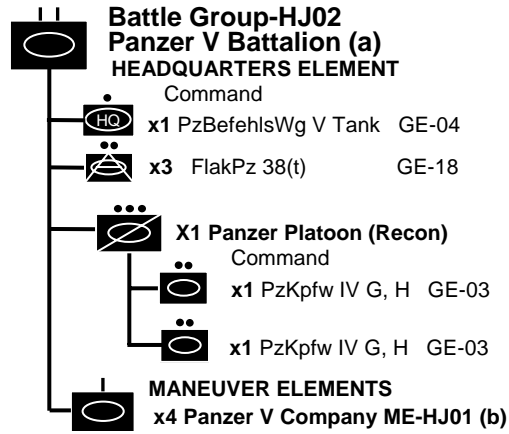
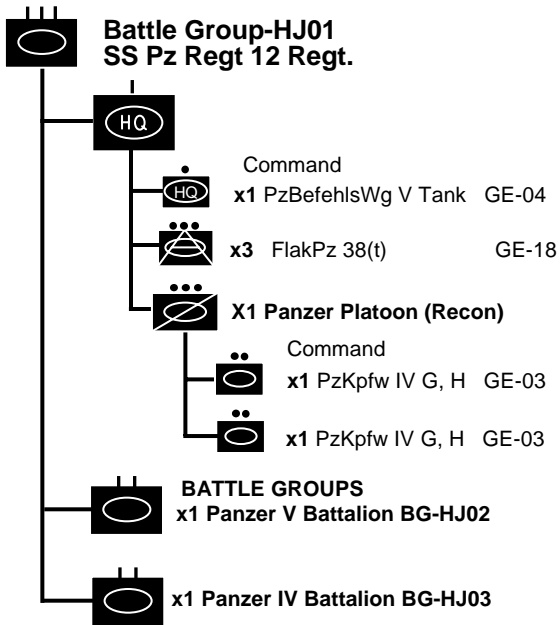
Attached 13th June in and around Villers bocage
Became the 501st SS in December 44



2nd Coy 217 Sturm-Pz Abt ME-HJ17

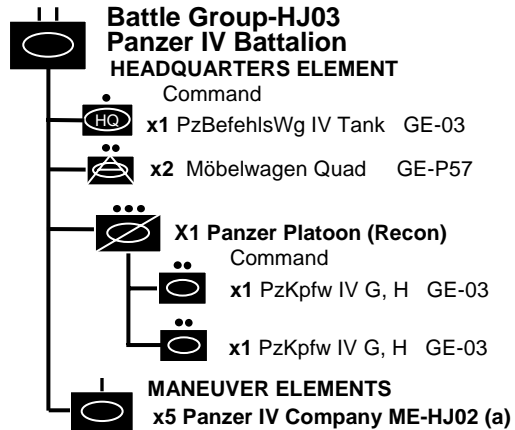
Attached to 12th SS 6th August 1944

SS Panzer Regiment 12



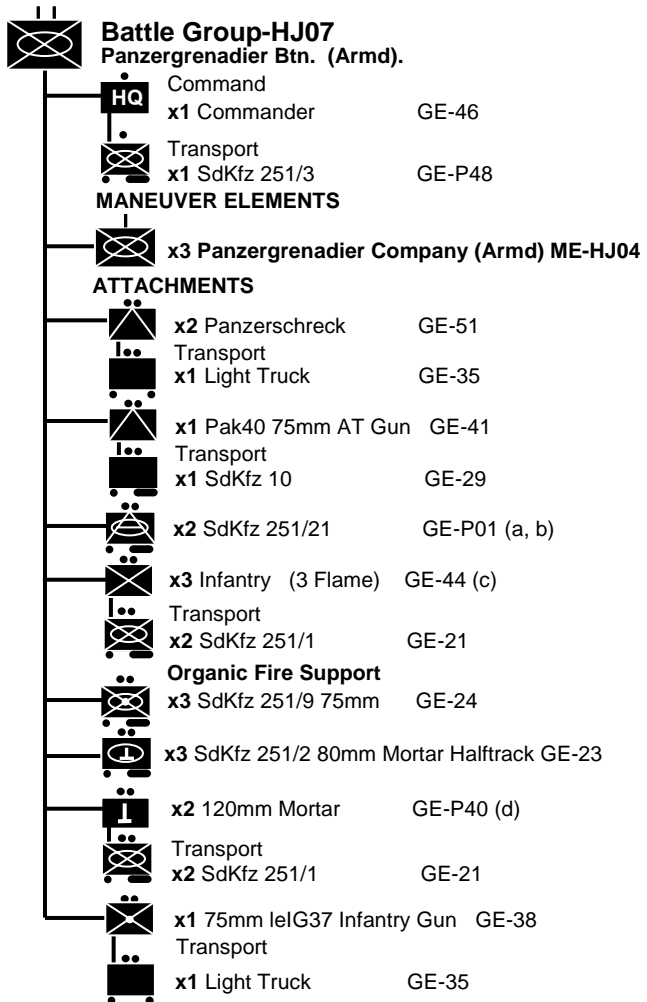
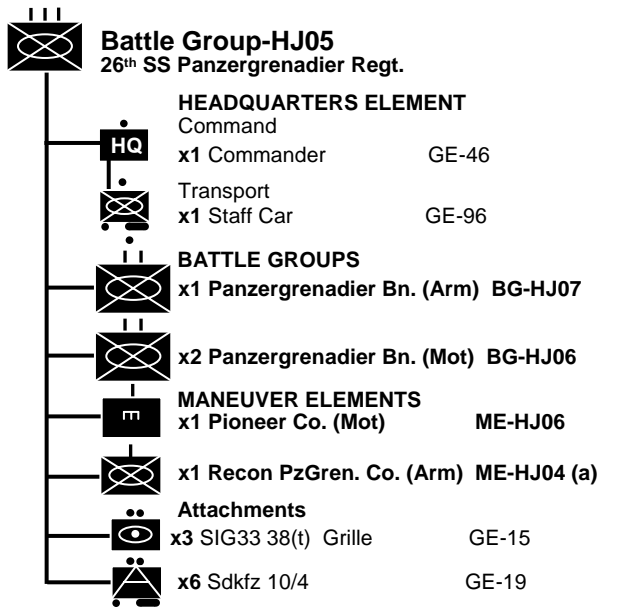
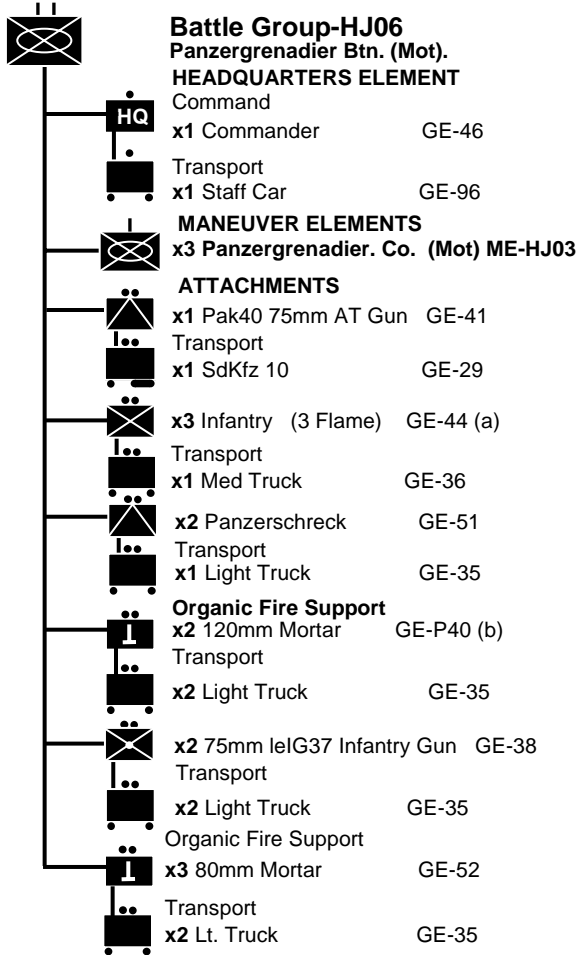
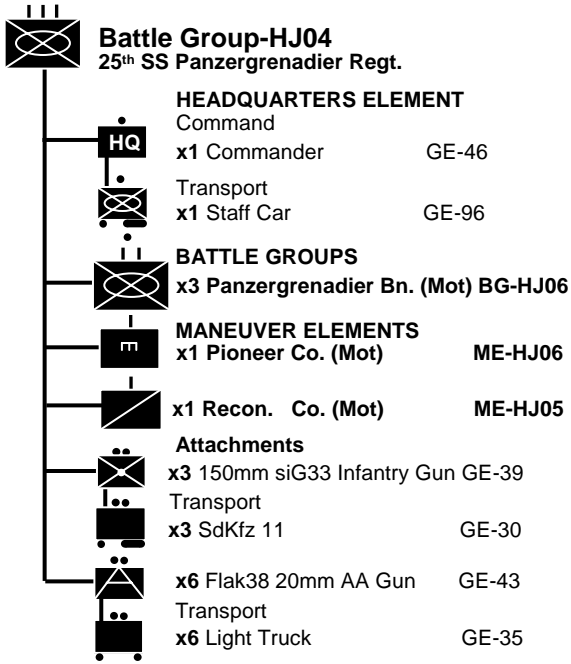
(a) This battalion did not reach the front line in Normandy as was stranded 30km east of the Orne due to fuel shortages.

(b) Had 4 companies of 17 tanks



(a) Had 5 companies of 22 tanks

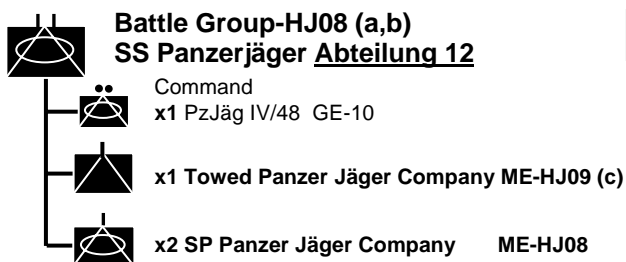
PanzerGrenadier Regts



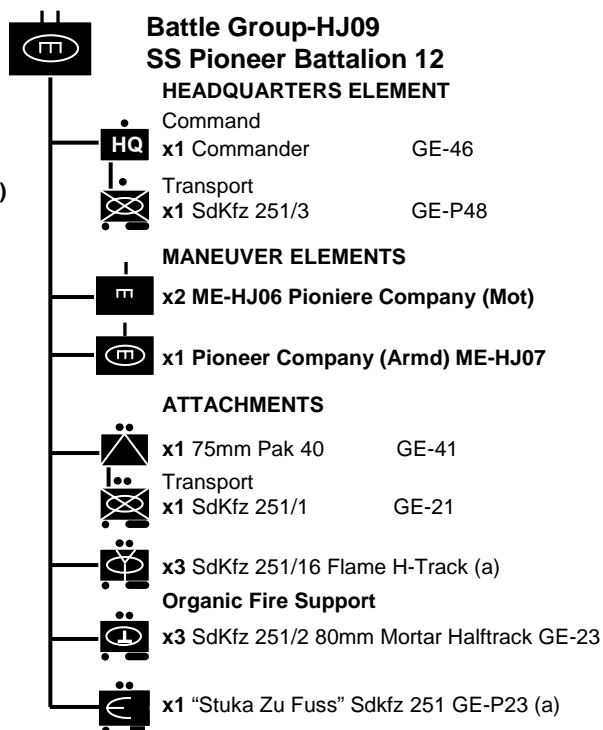
- a) +4CC vs T, G, sV
b) Not in Normandy

- (a) These are guessed at as they were issued to the Battalion but not sure where, and as a normal motorised Bn had flak guns it seemed fair to add them in here.
(b) 251/21 not used until FEB 45
(c) +4CC vs T, G, sV
(d) Not in Normandy

PzJäger/Pioniere/Flak

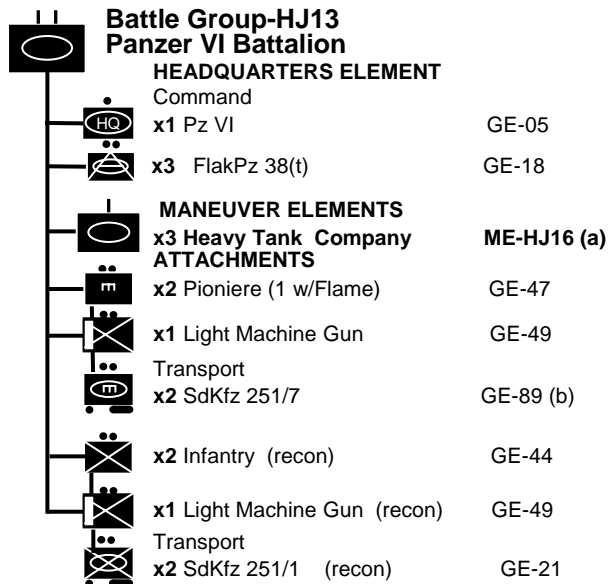
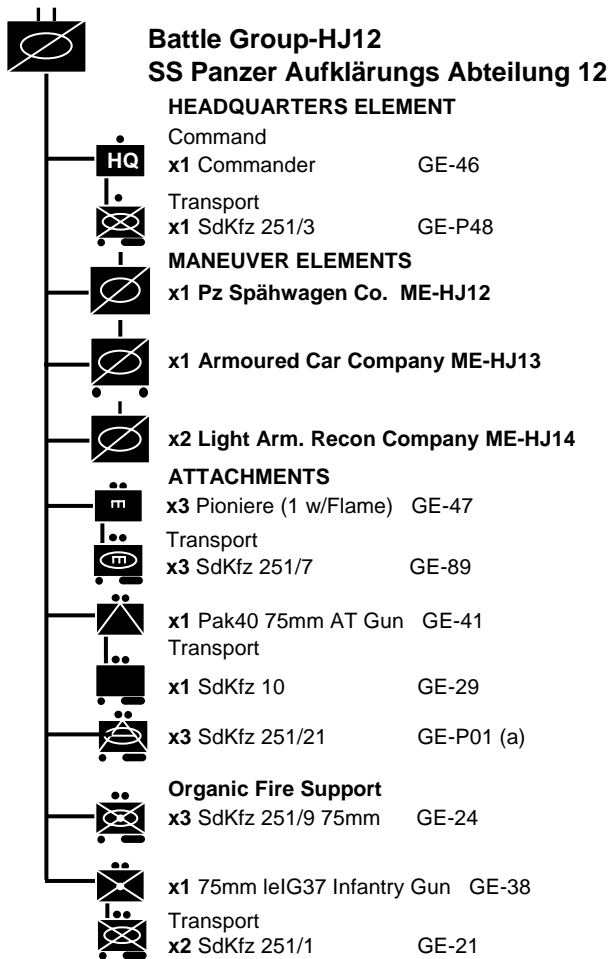


- (a) The unit did not reach the front line till 19th July 1944 as it had not been allocated all of its weapons yet.
- (b) The battalion converted all weapons to Pzjager IV/70 (GE-10.1) in time for the Ardennes battles. Use 3x ME-HJ08
- (c) Can only field one company of PzJag IV/48 arrives 22JUN44.



- (a) There was 1x Stuka Zu Fuss issued to each company and the battalion had 6x Sdkfz 251/16 issued also.

Recon/Heavy Tank

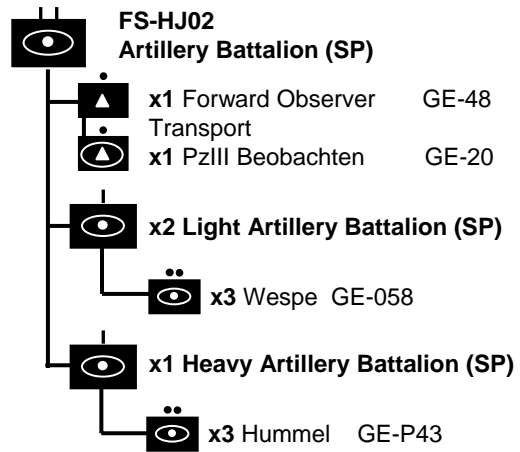
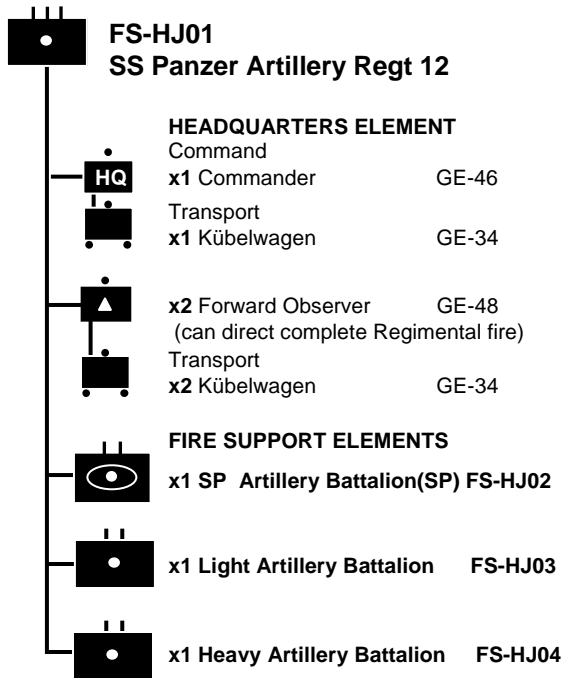


(a) Aug 44 1st Coy had Tiger II

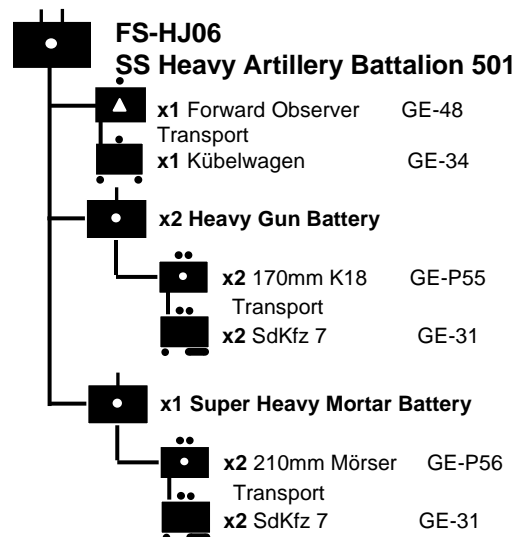
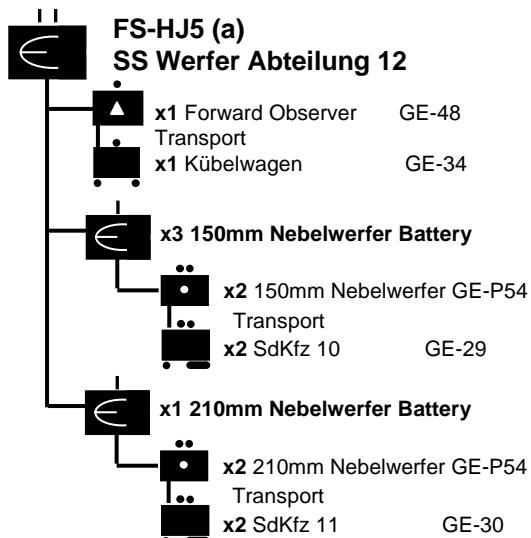
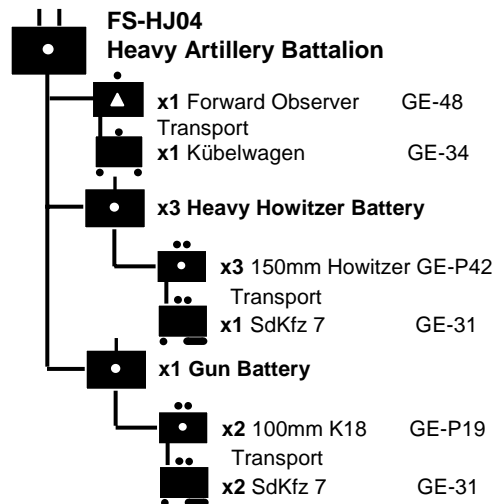
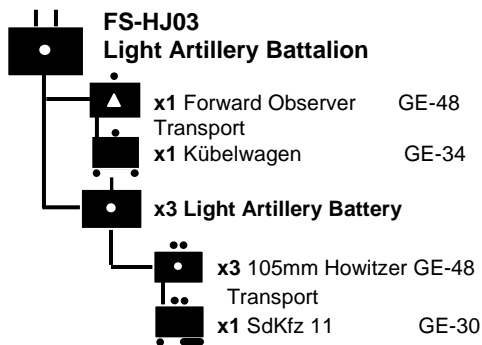
(b) Allow LMG to ride in one of the 251/7

(a) 251/21 not available until Feb45

Artillery

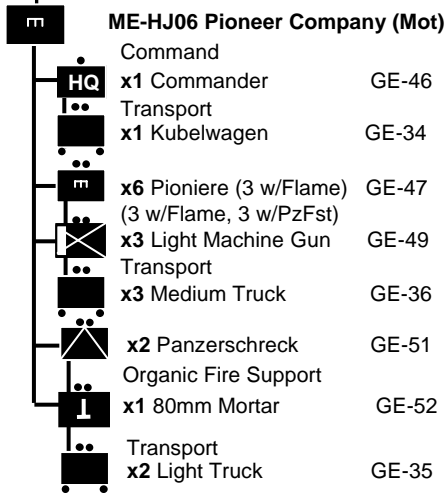
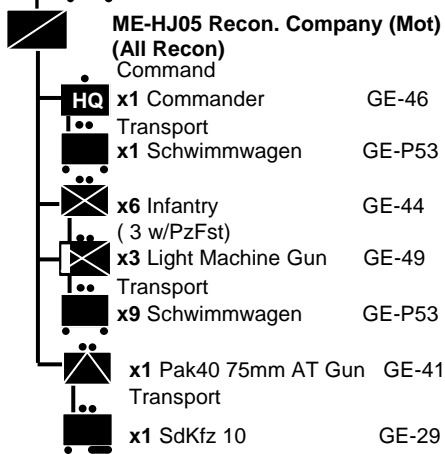
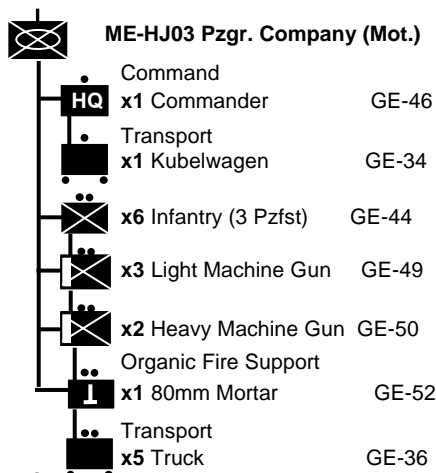
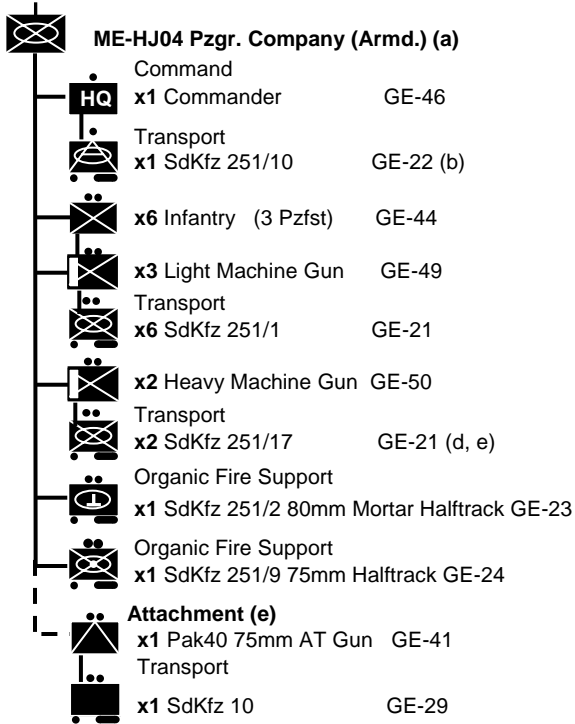
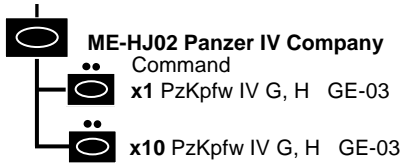
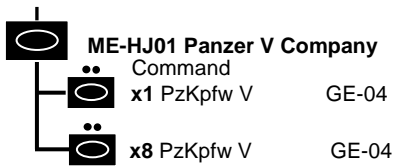


Note-All of the artillery in these formation has the option to operate off-board.



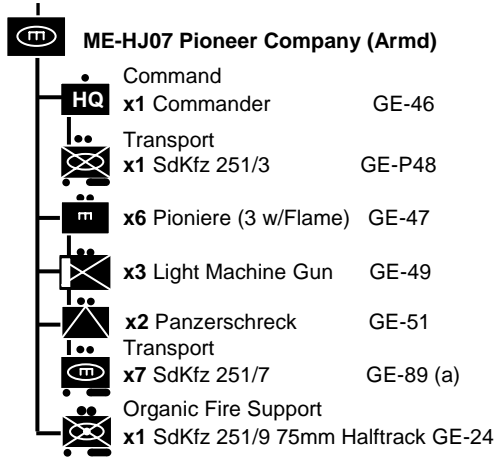
(a) Did not receive full complement of prime movers until July 44. 1st Battery of 150mm Werfers arrived 12JUN44, the rest of the Battalion by July 44.

Maneuver Elements HJ1-6

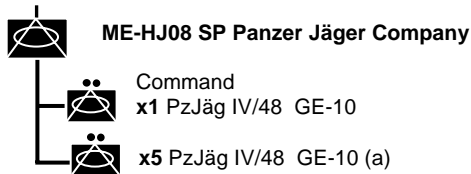


- a) Note that this formation is also used as a recon company.
- b) Replace by 251/17 GE-21 in Feb 45.
- c) 2 Infantry in the 26th Regiment Recon Company had flamethrowers (+4 CC vs T,G,sV). No other formations using this organization had them.
- d) 251/17 not used until Feb 45. Until then use 251/1 GE-2. These vehicles were issued to carry the HMGs, extra crew were used to man the Flak guns to form a combined flak and MG platoon. There were six vehicles in total for the company.
- e) Attach AT gun when used as recon company, not in normal Pz Grenadier formation.

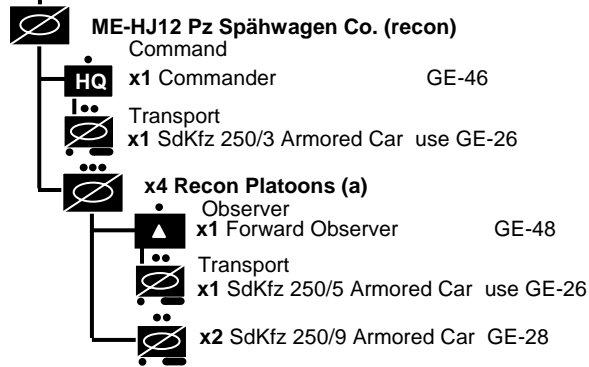
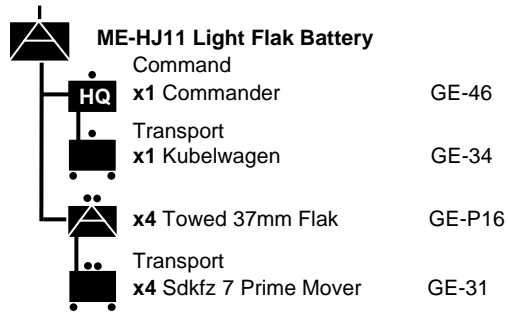
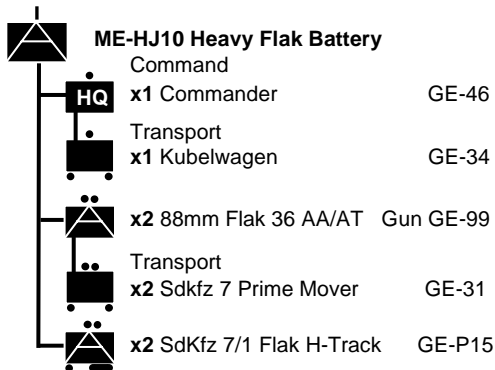
Maneuver Elements HJ 7-14



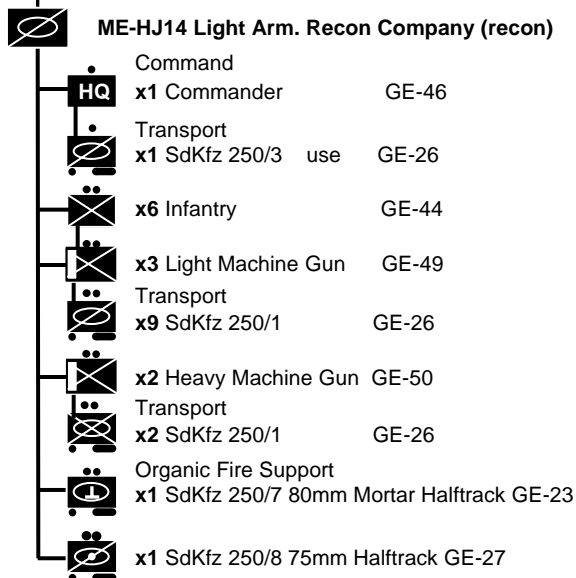
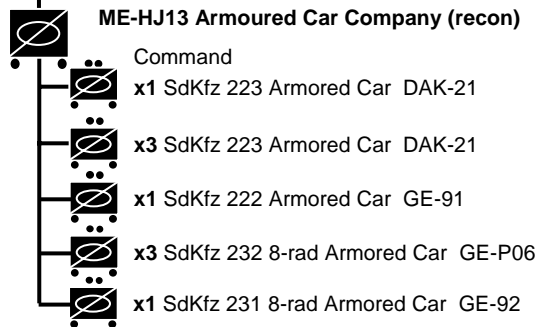
(a) Nominally the 251/7 carries 1 passenger-allow the 3 extra LMG and Pzfst to be carried as well up to 2/vehicle

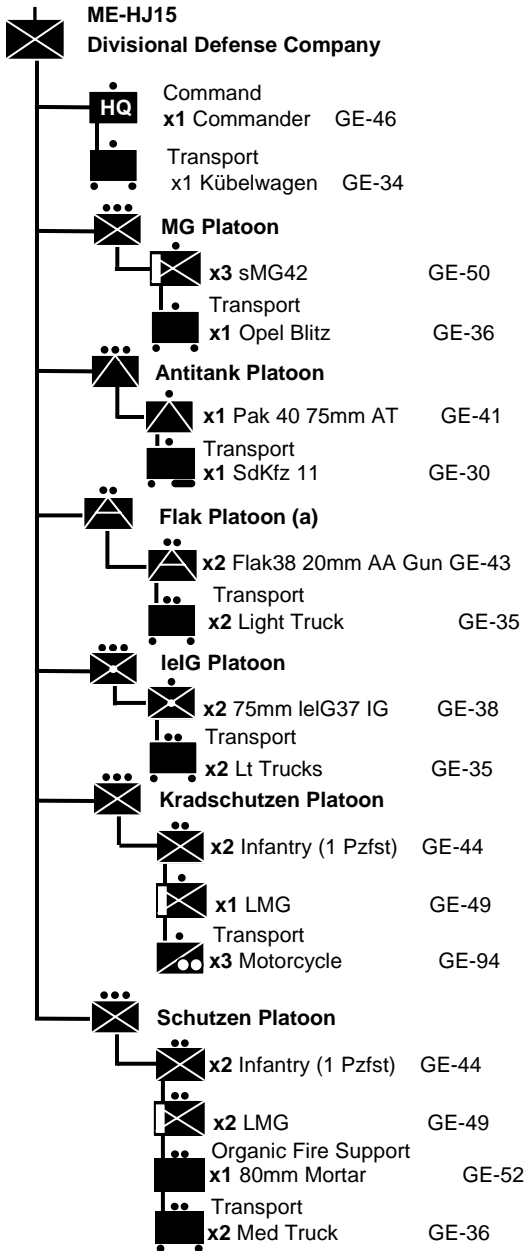


(a) Replace by PzJäg IV/70 GE-10.1 in the Ardennes

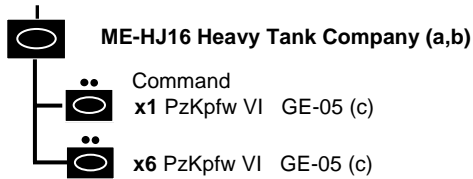


(a) The Company CO can call fire from any artillery asset. The platoon FOs can call fire can only call in fire from the Recce Bn Support weapons. The platoons can act as independent ME or combine as a company.

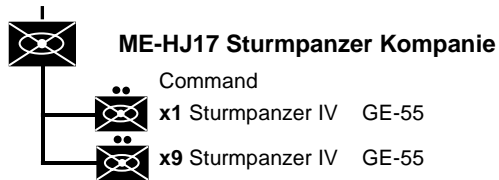




Maneuver Elements HJ15-17



- (a) May operate as 3 platoons of 2 units.
- (b) Due to high maintenance requirements (one day for every three days in combat) after a week in combat 1/3 of unit would be in workshops, so drop unit down to 4x PzVI
- (c) After August 44, the first company of the heavy tank battalion was equipped with PzVIb (GE-06)



(a) HJ Division was short of Sdkfz 10s to pull the 20mm Flak but the ones they had tended to be converted locally to mount the 20mm Flak. As an option replace the two truck-towed Flak with 2 Sdkfz 10/4 GE-19